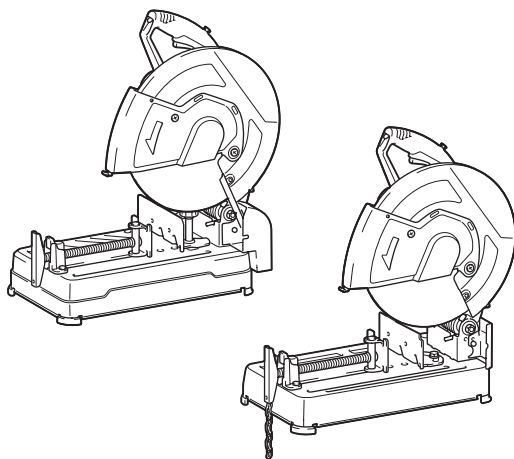


INSTRUCTION MANUAL
MANUEL D'INSTRUCTION
MANUAL DE INSTRUCCIONES



Portable Cut-Off Scie à Coupe d'Onglet à Métaux (Disque) Tronzadora de Metal

LW1400
LW1401



DOUBLE INSULATION
DOUBLE ISOLATION
DOBLE AISLAMIENTO

IMPORTANT: Read Before Using.
IMPORTANT : Lire avant usage.
IMPORTANTE: Lea antes de usar.

SPECIFICATIONS

Model:		LW1400	LW1401
Wheel diameter		355 mm (14")	
Hole diameter		25.4 mm (1")	
No load speed (RPM)		3,800 /min	
Dimensions (L x W x H)	With safety guard other than European type	530 mm x 295 mm x 640 mm (20-7/8" x 11-5/8" x 25-1/4")	500 mm x 290 mm x 620 mm (19-3/4" x 11-3/8" x 24-3/8")
Net weight	With safety guard other than European type	17.2 kg (37.9 lbs)	16.8 kg (37.0 lbs)
Safety class		□/II	

- Due to our continuing program of research and development, the specifications herein are subject to change without notice.
- Specifications may differ from country to country.
- Weight according to EPTA-Procedure 01/2014
- The shape and weight vary depending on the specifications which differ country to country.

For your own safety, read instruction manual before operating tool. Save it for future reference.

General safety precautions (For all tools)

1. **KNOW YOUR POWER TOOL.** Read the owner's manual carefully. Learn the tool's applications and limitations, as well as the specific potential hazards peculiar to it.
2. **KEEP GUARDS IN PLACE** and in working order.
3. **REMOVE ADJUSTING KEYS AND WRENCHES.** Form habit of checking to see that keys and adjusting wrenches are removed from tool before turning it on.
4. **KEEP WORK AREA CLEAN.** Cluttered areas and benches invite accidents.
5. **DO NOT USE IN DANGEROUS ENVIRONMENT.** Do not use power tools in damp or wet locations, or expose them to rain. Keep work area well lighted. Do not use tool in presence of flammable liquids or gases.
6. **KEEP CHILDREN AWAY.** All visitors should be kept safe distance from work area.
7. **MAKE WORKSHOP KID PROOF** with padlocks, master switches, or by removing starter keys.
8. **DO NOT FORCE TOOL.** It will do the job better and safer at the rate for which it was designed.
9. **USE RIGHT TOOL.** Do not force tool or attachment to do a job for which it was not designed.
10. **WEAR PROPER APPAREL.** Do not wear loose clothing, gloves, neckties, rings, bracelets, or other jewelry which may get caught in moving parts. Non-slip footwear is recommended. Wear protective hair covering to contain long hair.
11. **ALWAYS USE SAFETY GLASSES.** Also use face or dust mask if cutting operation is dusty. Everyday eyeglasses only have impact resistant lenses, they are NOT safety glasses.
12. **SECURE WORK.** Use clamps or a vise to hold work when practical. It's safer than using your hand and it frees both hands to operate tool.
13. **DO NOT OVERREACH.** Keep proper footing and balance at all times.
14. **MAINTAIN TOOLS WITH CARE.** Keep tools sharp and clean for best and safest performance. Follow instructions for lubricating and changing accessories.
15. **DISCONNECT TOOLS** before servicing; when changing accessories such as blades, bits, cutters, and the like.
16. **REDUCE THE RISK OF UNINTENTIONAL STARTING.** Make sure switch is in off position before plugging in.
17. **USE RECOMMENDED ACCESSORIES.** Consult the owner's manual for recommended accessories. The use of improper accessories may cause risk of injury to persons.
18. **NEVER STAND ON TOOL.** Serious injury could occur if the tool is tipped or if the cutting tool is unintentionally contacted.
19. **CHECK DAMAGED PARTS.** Before further use of the tool, a guard or other part that is damaged should be carefully checked to determine that it will operate properly and perform its intended function - check for alignment of moving parts, binding of moving parts, breakage of parts, mounting, and any other conditions that may affect its operation. A guard or other part that is damaged should be properly repaired or replaced.
20. **DIRECTION OF FEED.** Feed work into a blade or cutter against the direction of rotation of the blade or cutter only.
21. **NEVER LEAVE TOOL RUNNING UNATTENDED.** TURN POWER OFF. Do not leave tool until it comes to a complete stop.
22. **REPLACEMENT PARTS.** When servicing, use only identical replacement parts.
23. **POLARIZED PLUGS.** To reduce the risk of electric shock, this equipment has a polarized plug (one blade is wider than the other). This plug will fit in a polarized outlet only one way. If the plug does not fit fully in the outlet, reverse the plug. If it still does not fit, contact a qualified electrician to install the proper outlet. Do not change the plug in any way.

VOLTAGE WARNING: Before connecting the tool to a power source (receptacle, outlet, etc.) be sure the voltage supplied is the same as that specified on the nameplate of the tool. A power source with voltage greater than that specified for the tool can result in **SERIOUS INJURY** to the user- as well as damage to the tool. If in doubt, **DO NOT PLUG IN THE TOOL**. Using a power source with voltage less than the nameplate rating is harmful to the motor.

USE PROPER EXTENSION CORD. Make sure your extension cord is in good condition. When using an extension cord, be sure to use one heavy enough to carry the current your product will draw. An undersized cord will cause a drop in line voltage resulting in loss of power and overheating. Table 1 shows the correct size to use depending on cord length and nameplate ampere rating. If in doubt, use the next heavier gage. The smaller the gage number, the heavier the cord.

Table 1: Minimum gage for cord

Ampere Rating		Volts	Total length of cord in feet			
		120V	25 ft.	50 ft.	100 ft.	150 ft.
		220V - 240V	50 ft.	100 ft.	200 ft.	300 ft.
More Than	Not More Than	AWG				
0 A	6 A	-	18	16	16	14
6 A	10 A		18	16	14	12
10 A	12 A		16	16	14	12
12 A	16 A		14	12	Not Recommended	

Specific safety rules

DO NOT let comfort or familiarity with product (gained from repeated use) replace strict adherence to portable cut-off safety rules. If you use this tool unsafely or incorrectly, you can suffer serious personal injury.

1. Wear hearing protection during extended period of operation.
2. Use only wheels having a maximum operating speed at least as high as "No Load RPM" marked on the tool's nameplate. Use only fiberglass-reinforced cut-off wheels.
3. Check the cut-off wheel carefully for cracks or damage before operation. Replace cracked or damaged wheel immediately. Run the tool (with guard) at no load for about a minute, holding tool away from others. If wheel is flawed, it will likely separate during this test.
4. Secure the cut-off wheel carefully.
5. Use only flanges specified for this tool.
6. Be careful not to damage the spindle, flanges (especially the installing surface) or bolt. Damage to these parts could result in wheel breakage.
7. Do not operate the tool without guards in place. Check the wheel guard for proper closing before each use. Do not operate the tool if wheel guard does not move freely and close instantly. Never clamp or tie the wheel guard into the open position.
8. Hold the handle firmly.
9. Keep hands away from rotating parts.
10. Make sure the cut-off wheel is not contacting the workpiece before the switch is turned on.
11. Before using the tool on an actual workpiece, let it run for a while. Watch for vibration or wobbling that could indicate poor installation or a poorly balanced wheel.
12. Watch out for flying sparks when operating. They can cause injury or ignite combustible materials.
13. Remove material or debris from the area that might be ignited by sparks. Be sure that others are not in the path of the sparks. Keep a proper, charged fire extinguisher closely available.


14. Use the cutting edge of the cut-off wheel only. Never use side surface.
15. Do not attempt to keep the trigger in the ON position.
16. If the cut-off wheel stops during operation, makes an odd noise or begins to vibrate, switch off the tool immediately.
17. Turn off the tool and wait for the cut-off wheel to stop before moving workpiece or changing settings.
18. Do not touch the workpiece immediately after operation; it is extremely hot and could burn your skin.
19. Store wheels in a dry location only.
20. Before each use, watch for flutter or excessive vibration that might be caused by poor installation or a poorly balanced wheel.

SAVE THESE INSTRUCTIONS.

⚠ WARNING: MISUSE or failure to follow the safety rules stated in this instruction manual may cause serious personal injury.

Symbols

The followings show the symbols used for tool.

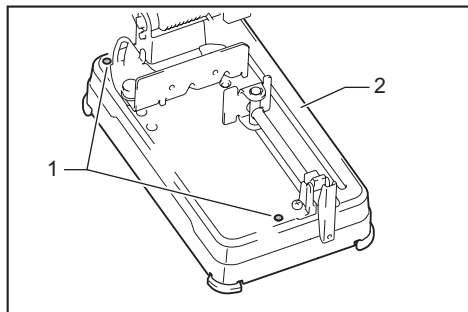
v	volts
A	amperes
Hz	hertz
~	alternating current
	Class II Construction
... /min r/min	revolutions or reciprocation per minute

INSTALLATION

⚠ WARNING: This tool produces spark when cutting a workpiece. Do not install this tool in the place in which flammable and/or explosive materials might be ignited by the spark from the tool. Also make sure that there is no such material near the tool before starting the operation.

Securing the base

This tool should be bolted with two bolts to a level and stable surface using the bolt holes provided in the tool's base. This will help prevent tipping over and possible personal injury.



► 1. Bolt holes 2. Base

FUNCTIONAL DESCRIPTION

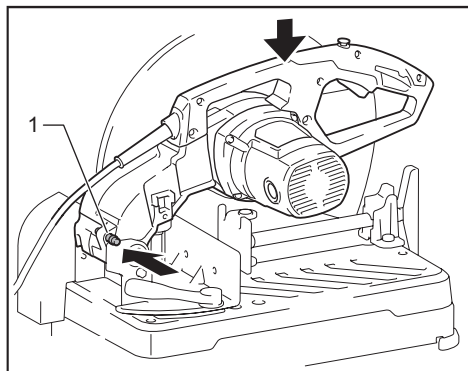
⚠ CAUTION: Always be sure that the tool is switched off and unplugged before adjusting or checking function on the tool.

Unlocking/locking tool head

The tool head can be locked. Always lock the tool head when not in use or carrying.

For LW1400

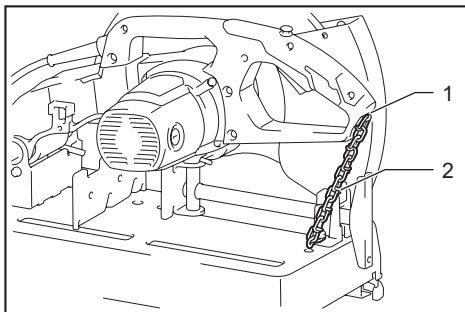
To unlock, depress the tool head slightly and push the lock pin. To lock, return the lock pin while holding down the tool head.



► 1. Lock pin

For LW1401

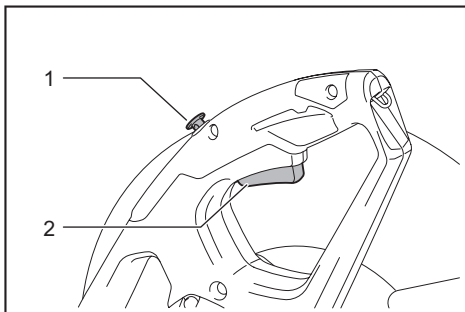
Unhook the lock chain from the hook. Always hook the lock chain to the hook when not in use.



► 1. Hook 2. Lock chain

Switch action

⚠ WARNING: Before plugging in the tool, always check to see that the switch trigger actuates properly and returns to the "OFF" position when released.



► 1. Lock-off button 2. Switch trigger

To prevent the switch trigger from being accidentally pulled, a lock-off button is provided. To start the tool, press the lock-off button and pull the switch trigger. Release the switch trigger to stop.

⚠ WARNING: NEVER defeat the lock-off button by taping down or some other means. A switch with a negated lock-off button may result in unintentional operation and serious personal injury.

⚠ WARNING: NEVER use the tool if it runs when you simply pull the switch trigger without pressing the lock-off button. A switch in need of repair may result in unintentional operation and serious personal injury. Return tool to a Makita service center for proper repairs BEFORE further usage.

NOTICE: Do not pull the switch trigger hard without pressing in the lock-off button. This can cause switch breakage.

Interval between vise and guide plate

CAUTION: After adjusting the interval between the vise and the guide plate, make sure that the guide plate is properly secured. Insufficient fixing may result in personal injury.

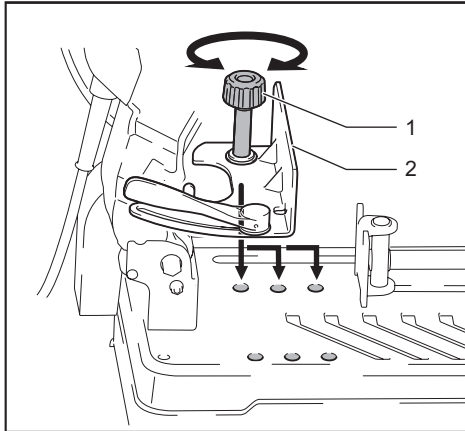
The following interval settings of the vise are available:

- 0 - 170 mm (0" - 6-11/16") (original setting)
- 35 - 205 mm (1-3/8" - 8-1/16")
- 70 - 240 mm (2-3/4" - 9-7/16")

If your work requires different setting, proceed as follows to change the spacing or interval.

For LW1400

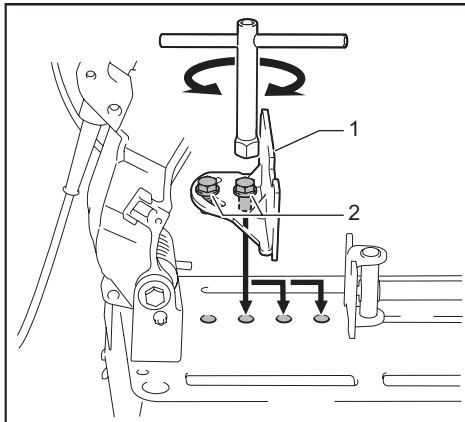
Loosen the screw on the guide plate. Move the guide plate to the desired position then tighten the screw.



► 1. Screw 2. Guide plate

For LW1401

Remove the two hex bolts using a socket wrench. Move the guide plate to the desired position and secure it with the hex bolts.



► 1. Guide plate 2. Hex bolts

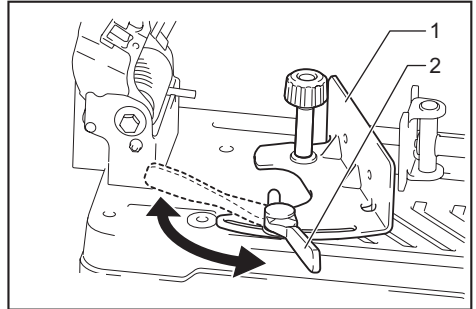
Cutting angle adjustment

CAUTION: After adjusting the angle of the guide plate, make sure that the guide plate is properly secured. Insufficient fixing may result in personal injury.

CAUTION: Do not operate the tool when the material is not firmly secured with the vise because of the cutting angle.

For LW1400

Turn the lever counterclockwise. Move the guide plate to the desired angle and fully tighten the lever.

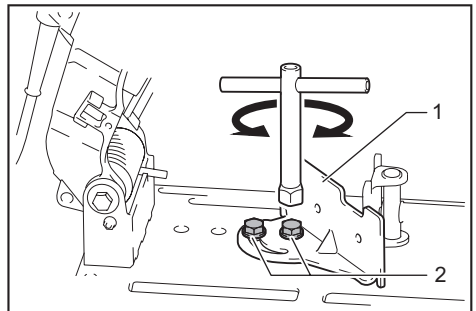


► 1. Guide plate 2. Lever

For LW1401

NOTICE: When performing right miter cut, always set the guide plate at 0 - 170 mm (0" - 6-11/16") position. Setting at the 35 - 205 mm (1-3/8" - 8-1/16") or 70 - 240 mm (2-3/4" - 9-7/16") position hinders the movement of stopper plate, which results in a failure cut.

Loosen the two hex bolts using a socket wrench. Turn the guide plate to the desired angle and secure it with the hex bolts. Be careful not to move the set angle while securing the hex bolts.

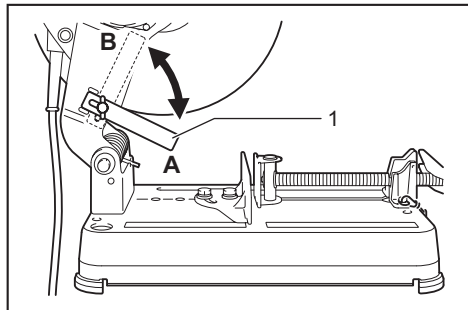


► 1. Guide plate 2. Hex bolts

NOTE: The scale on the guide plate is only a rough indication. For more accurate angle, use a protractor or triangle ruler. Keep the handle down so that the cut-off wheel extends into the base. At the same time, adjust the angle between the guide plate and the cut-off wheel with a protractor or triangle ruler.

Stopper plate

For LW1401 only (country specific)



► 1. Stopper plate

The stopper plate prevents the cut-off wheel from contacting the workbench or floor. When a new cut-off wheel is installed, set the stopper plate to position (A). When the cut-off wheel wears down to the extent that the lower portion of the workpiece is left uncut, set the stopper plate to position (B) to allow increased cutting capacity with a worn down wheel.

ASSEMBLY

CAUTION: Always be sure that the tool is switched off and unplugged before carrying out any work on the tool.

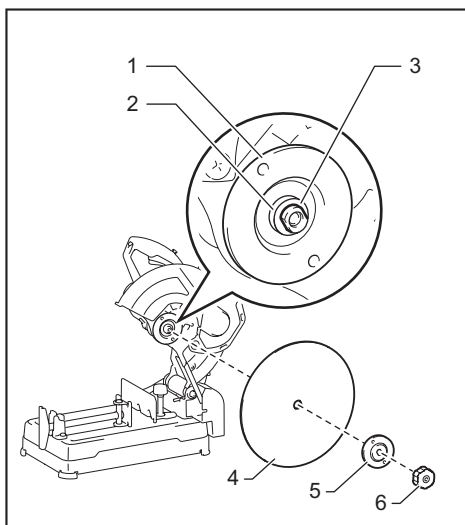
Removing or installing cut-off wheel

CAUTION: Be sure to tighten the toolless clamp or hex bolt securely. Insufficient tightening may result in severe injury. When tightening the hex bolt, use the socket wrench provided with the tool to assure proper tightening.

CAUTION: Always use only the proper inner and outer flanges which are provided with the tool.

CAUTION: Always lower the safety guard after replacing the wheel.

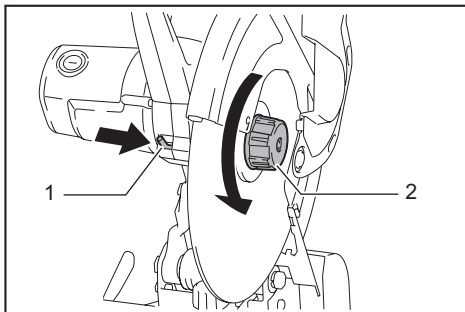
CAUTION: Wear gloves when handling wheels.



► 1. Inner flange 2. Ring 3. O-ring 4. Cut-off wheel
5. Outer flange 6. Toolless clamp / Hex bolt

For LW1400

Raise the safety guard. Turn the toolless clamp counterclockwise while holding down the shaft lock. Then remove the toolless clamp, outer flange and cut-off wheel. When removing the cut-off wheel, do not remove the inner flange as well as the ring and O-ring.

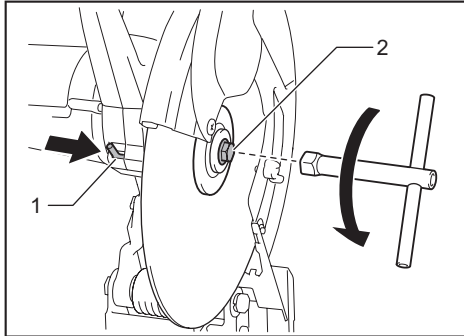


► 1. Shaft lock 2. Toolless clamp

To install the cut-off wheel, follow the removal procedures in reverse. Make sure to fit the hole of cut-off wheel to the ring and return the safety guard.

For LW1401

Raise the safety guard. Turn the hex bolt counterclockwise using a socket wrench while holding down the shaft lock. Then remove the hex bolt, outer flange and wheel.



► 1. Shaft lock 2. Hex bolt

To install the wheel, follow the removal procedures in reverse. Make sure to fit the hole of cut-off wheel to the ring and return the safety guard.

OPERATION

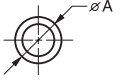
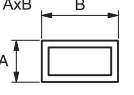
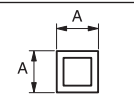

CAUTION: Proper handle pressure during cutting and maximum cutting efficiency can be determined by the amount of sparks that is produced while cutting. Do not force the cut by applying excessive pressure on the handle. Reduced cutting efficiency, premature wheel wear, as well as, possible damage to the tool, cut-off wheel or workpiece may result.

Hold the handle firmly. Switch on the tool and wait until the cut-off wheel attains full speed before lowering gently into the cut. When the cut-off wheel contacts the workpiece, gradually bear down on the handle to perform the cut. When the cut is completed, switch off the tool and wait until the cut-off wheel has come to a complete stop before returning the handle to the fully elevated position.

Cutting capacity

Maximum cutting capacity varies depending on the cutting angle and workpiece shape.

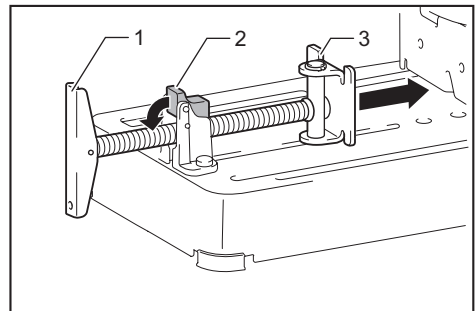
Max. cutting capacity with a brand-new cut-off wheel

Cutting angle / Workpiece shape	90°	45°
	127 mm (5")	127 mm (5")
	115 x 130 mm (4-1/2" x 5-1/8") 102 x 194 mm (4" x 7-5/8") 70 x 233 mm (2-3/4" - 9-1/8")	115 x 103 mm (4-1/2" - 4-1/16")
	119 x 119 mm (4-11/16" x 4-11/16")	106 x 106 mm (4-3/16" x 4-3/16")
	137 x 137 x 10 mm (5-3/8" x 5-3/8" x 3/8")	100 x 100 x 10 mm (4" x 4" x 3/8")

Securing workpiece

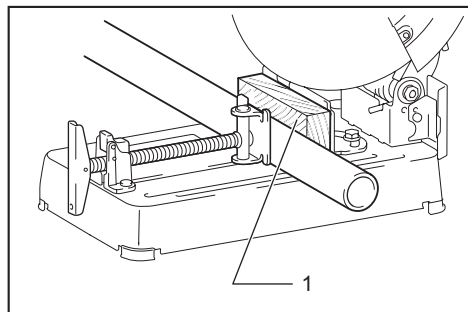
CAUTION: Always place the thread holder on the shaft threads when securing the workpiece. Failure to do so may result in insufficient securing of the workpiece. This could cause the workpiece to be ejected or cause a dangerous breakage of the cut-off wheel.

While the thread holder is lifted, the vise plate can be moved in and out quickly. To grip a workpiece, push the handle until the vise plate contacts the workpiece then return the thread holder. Turn the handle clockwise until the workpiece is securely retained.



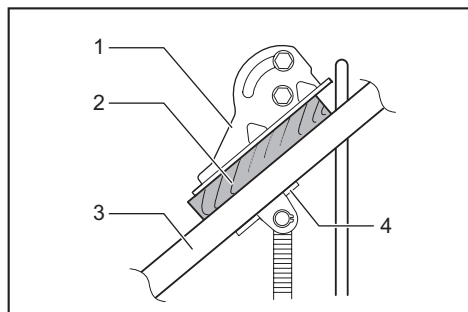
► 1. Handle 2. Thread holder 3. Vise plate

When the cut-off wheel has worn down considerably, place a spacer block behind the workpiece as shown in the figure. You can more efficiently utilize the worn wheel by using the mid point on the periphery of the wheel to cut the workpiece. Use a sturdy and non-flammable material for a spacer block.

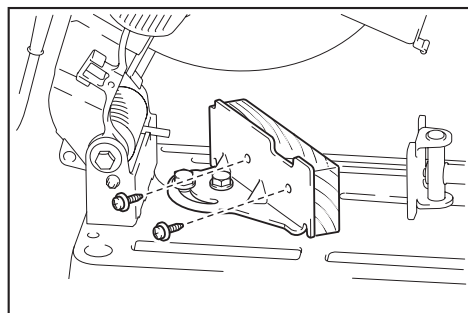


► 1. Spacer block

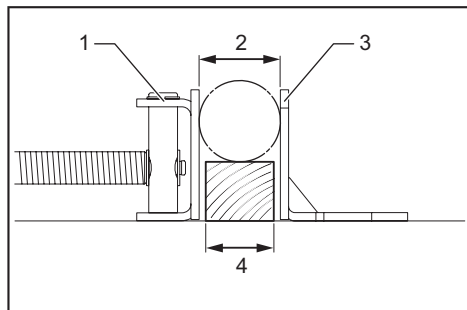
When cutting workpieces over 85 mm (3-3/8") wide at an angle, attach a straight piece of wood (spacer) over 190 mm (7-1/2") long x 45 mm (1-3/4") wide to the guide plate as shown in the figure. Attach this spacer with screws through the holes in the guide plate. Make sure that the cut-off wheel does not contact the spacer when the tool head is depressed.



► 1. Guide plate 2. Spacer block over 190 mm (7-1/2") long x 45 mm (1-3/4") wide 3. Workpiece over 85 mm (3-3/8") wide 4. Vise plate

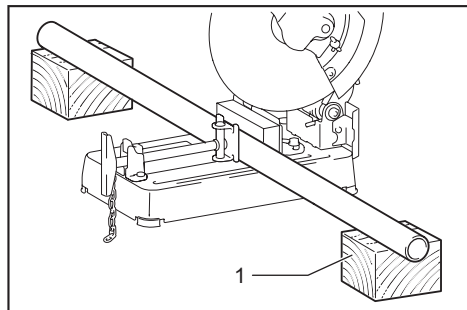


When the cut-off wheel has worn down, raise the cutting position by putting a spacer block which is slightly narrower than the workpiece as shown in the figure. This will help you to utilize the cut-off wheel economically.



► 1. Vise plate 2. Workpiece diameter 3. Guide plate 4. Spacer block width

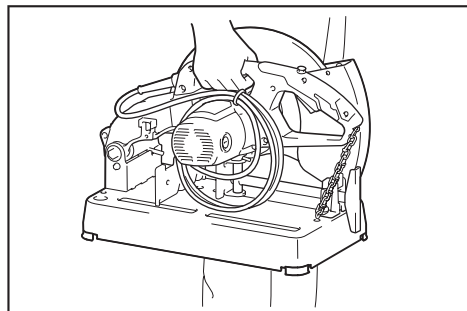
Long workpieces must be supported by blocks on either side so that it will be level with the base top. Use non-flammable material for supporting blocks.



► 1. Supporting block

Carrying tool

Fold down the tool head and lock it. Hold the handle when carrying.

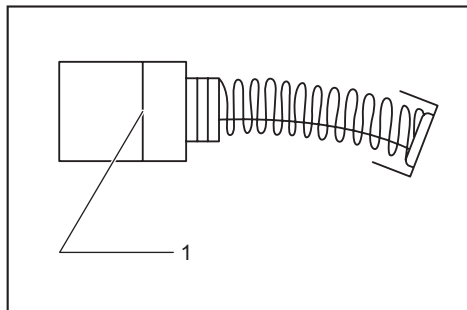


MAINTENANCE

⚠ CAUTION: Always be sure that the tool is switched off and unplugged before attempting to perform inspection or maintenance.

NOTICE: Never use gasoline, benzene, thinner, alcohol or the like. Discoloration, deformation or cracks may result.

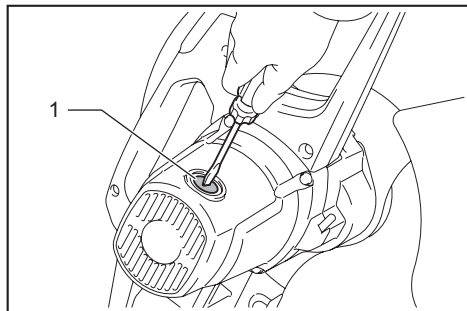
Replacing carbon brushes



- 1. Limit mark

Check the carbon brushes regularly. Replace them when they wear down to the limit mark. Keep the carbon brushes clean and free to slip in the holders. Both carbon brushes should be replaced at the same time. Use only identical carbon brushes.

1. Use a screwdriver to remove the brush holder caps.
2. Take out the worn carbon brushes, insert the new ones and secure the brush holder caps.



- 1. Brush holder cap

OPTIONAL ACCESSORIES

⚠ CAUTION: These accessories or attachments are recommended for use with your Makita tool specified in this manual. The use of any other accessories or attachments might present a risk of injury to persons. Only use accessory or attachment for its stated purpose.

If you need any assistance for more details regarding these accessories, ask your local Makita Service Center.

- Abrasive cut-off wheels
- Socket wrench (for LW1401 only)

NOTE: Some items in the list may be included in the tool package as standard accessories. They may differ from country to country.

MAKITA LIMITED WARRANTY

Please refer to the annexed warranty sheet for the most current warranty terms applicable to this product. If annexed warranty sheet is not available, refer to the warranty details set forth at below website for your respective country.

United States of America: www.makitatools.com

Canada: www.makita.ca

Other countries: www.makita.com

SPÉCIFICATIONS

Modèle :		LW1400	LW1401
Diamètre de la meule		355 mm (14")	
Diamètre de l'orifice		25,4 mm (1")	
Vitesse à vide (t/min)		3 800 /min	
Dimensions (L x P x H)	Avec protecteur de sécurité de type autre qu'europpéen	530 mm x 295 mm x 640 mm (20-7/8" x 11-5/8" x 25-1/4")	500 mm x 290 mm x 620 mm (19-3/4" x 11-3/8" x 24-3/8")
Poids net	Avec protecteur de sécurité de type autre qu'europpéen	17,2 kg (37,9 lbs)	16,8 kg (37,0 lbs)
Classe de sécurité		□/II	

- Étant donné l'évolution constante de notre programme de recherche et de développement, les spécifications contenues dans ce manuel sont sujettes à modification sans préavis.
- Les spécifications peuvent varier suivant les pays.
- Poids selon la procédure EPTA 01/2014
- La forme et le poids varient suivant les spécifications, qui diffèrent d'un pays à l'autre.

Pour votre propre sécurité, veuillez lire le manuel d'instructions Avant d'utiliser l'outil. Conservez-le pour référence ultérieure.

Précautions générales (pour tous les outils)

- VOUS DEVEZ CONNAÎTRE VOTRE OUTIL ÉLECTRIQUE.** Lisez attentivement le manuel de l'utilisateur. Familiarisez-vous avec les applications et limites de l'outil, ainsi qu'avec les risques potentiels qui lui sont spécifiques.
- MAINTENEZ LES PROTECTEURS EN PLACE** et en bon état de fonctionnement.
- RETIREZ LES CLÉS DE RÉGLAGE ET DE SERRAGE.** Prenez l'habitude de vous assurer que les clés de réglage et de serrage ont été retirées de l'outil avant de le mettre sous tension.
- MAINTENEZ LA ZONE DE TRAVAIL PROPRE.** Les zones de travail et les établis encombrés ouvrent grande la porte aux accidents.
- ÉVITEZ L'UTILISATION DANS UN ENVIRONNEMENT DANGEREUX.** N'utilisez pas les outils électriques dans les endroits humides ou mouillés, et ne les exposez pas à la pluie. Maintenez un éclairage adéquat dans la zone de travail. N'utilisez pas votre outil en présence de liquides ou gaz inflammables.
- TENEZ LES ENFANTS À L'ÉCART.** Toute autre personne que l'utilisateur de l'outil doit se tenir à une distance sûre de la zone de travail.
- FAITES EN SORTE QUE L'ATELIER SOIT SANS DANGER POUR LES ENFANTS,** en y posant des cadenas, un interrupteur principal, ou en retirant les clés de démarrage.
- NE FORCEZ PAS L'OUTIL.** Il effectuera un travail de meilleure qualité et plus sécuritaire s'il est utilisé au régime pour lequel il a été conçu.
- UTILISEZ LE BON OUTIL.** Ne forcez pas un outil ou accessoire à effectuer un travail pour lequel il n'a pas été conçu.
- PORTEZ DES VÊTEMENTS ADÉQUATS.** Ne portez ni vêtements ni gants amples, ni cravate, anneaux/bagues, bracelets ou autres bijoux susceptibles d'être happés par les pièces mobiles de l'outil. Le port de chaussures antidérapantes est recommandé. Portez un filet de protection pour envelopper les cheveux longs.
- PORTEZ TOUJOURS DES LUNETTES DE SÉCURITÉ.** Si le travail de coupe dégage de la poussière, portez également un écran facial ou un masque antipoussières. Les lunettes ordinaires ne sont munies que de lentilles résistantes aux chocs; elles ne constituent PAS des lunettes de sécurité.
- FIXEZ BIEN LA PIÈCE.** Lorsque cela est possible, fixez la pièce à travailler à l'aide de dispositifs de serrage ou d'un étau. Cela est plus sécuritaire que l'utilisation de la main et libère les deux mains pour le maniement de l'outil.
- NE VOUS ÉTIREZ PAS TROP.** Assurez-vous d'une bonne prise au sol et d'une bonne position d'équilibre en tout temps.
- PRENEZ SOIN DES OUTILS.** Maintenez les outils bien aiguisés et propres pour assurer un fonctionnement sécuritaire et un rendement optimal. Suivez les instructions de lubrification et de changement des accessoires.
- DÉBRANCHEZ LES OUTILS** avant tout travail de réparation ou avant de changer les accessoires tels que lames, embouts, couteaux et autres.
- RÉDUISEZ LES RISQUES DE DÉMARRAGE ACCIDENTEL.** Assurez-vous que l'interrupteur est en position d'arrêt avant de brancher l'outil.

17. **UTILISEZ LES ACCESSOIRES RECOMMANDÉS.** Consultez le manuel de l'utilisateur pour savoir quels sont les accessoires recommandés. L'utilisation d'accessoires non adéquats peut comporter un risque de blessure.
18. **NE VOUS APPUYEZ JAMAIS SUR L'OUTIL.** Vous courez un risque de blessure grave si l'outil bascule ou si vous touchez accidentellement l'outil tranchant.
19. **VÉRIFIEZ S'IL Y A DES PIÈCES ENDOMMAGÉES.** Avant d'utiliser l'outil, tout protecteur ou dispositif endommagé doit être vérifié soigneusement afin de s'assurer qu'il fonctionne adéquatement et peut remplir la fonction pour laquelle il est conçu. Vérifiez si les pièces mobiles sont bien alignées et bien fixées, vérifiez la présence de pièces brisées, vérifiez que l'outil est bien monté et assurez-vous que rien ne peut entraver son bon fonctionnement. Un protecteur ou tout autre dispositif endommagé doit être adéquatement réparé ou remplacé.
20. **SENS D'ALIMENTATION.** Vous devez faire avancer la pièce à l'encontre de la lame ou de l'outil tranchant, non la faire progresser dans le même sens.
21. **NE LAISSEZ JAMAIS SANS SURVEILLANCE UN OUTIL EN MARCHÉ. COUPEZ LE CONTACT.** Attendez que l'outil se soit complètement arrêté avant de le quitter.
22. **PIÈCES DE RECHANGE** Seules des pièces de rechange identiques aux originales doivent être utilisées lors des réparations.
23. **FICHES POLARISÉES** Pour réduire les risques de décharge électrique, cet équipement est muni d'une fiche polarisée (une des lames est plus large que l'autre). Cette fiche ne peut être insérée dans une prise polarisée que dans un seul sens. Si la fiche ne s'insère pas à fond dans la prise, insérez-la en sens inverse. Si elle ne s'insère toujours pas à fond, contactez un technicien qualifié pour faire installer une prise appropriée. N'apportez aucune modification à la fiche.

MISE EN GARDE RELATIVE À LA TENSION : Avant de brancher l'outil sur une source d'alimentation (prise ou autre dispositif), assurez-vous que la tension du circuit correspond à celle qui est spécifiée sur la plaque signalétique de l'outil. L'utilisation d'une source d'alimentation dont la tension est supérieure à celle spécifiée pour l'outil peut entraîner une **GRAVE BLESSURE** et endommager l'outil. En cas de doute, **NE BRANCHEZ PAS L'OUTIL.** L'utilisation d'une source d'alimentation dont la tension est inférieure à la valeur indiquée sur la plaque signalétique endommagera le moteur.

UTILISEZ UN CORDON PROLONGATEUR ADÉQUAT. Assurez-vous que le cordon prolongateur est en bon état. Lors de l'utilisation d'un cordon prolongateur, utilisez sans faute un cordon assez gros pour conduire le courant que le produit nécessite. Un cordon trop petit provoquera une baisse de tension de secteur, résultant en une perte de puissance et une surchauffe. Le Tableau 1 indique la dimension appropriée de cordon selon sa longueur et selon l'intensité nominale indiquée sur la plaque signalétique. En cas de doute sur un cordon donné, utilisez le cordon suivant. Plus le numéro de gabarit indiqué est petit, plus le cordon est gros.

Tableau 1 : Calibre minimum du cordon

Intensité nominale		Volts	Longueur totale du cordon en pieds			
			25 ft.	50 ft.	100 ft.	150 ft.
		120 V	25 ft.	50 ft.	100 ft.	150 ft.
		220 V - 240 V	50 ft.	100 ft.	200 ft.	300 ft.
Plus de	Pas plus de	Calibre américain des fils				
0 A	6 A	-	18	16	16	14
6 A	10 A		18	16	14	12
10 A	12 A		16	16	14	12
12 A	16 A		14	12	Non recommandé	

Règles de sécurité spécifiques

NE vous laissez PAS tromper (au fil d'une utilisation répétée) par un sentiment d'aisance et de familiarité avec le produit, en négligeant le respect rigoureux des règles de sécurité qui accompagnent la scie à coupe d'onglet à métaux (disque). Si vous n'utilisez pas cet outil de façon sûre et adéquate, vous courez un risque de grave blessure.

- Portez une protection d'oreilles lors des travaux de longue durée.
- Utilisez uniquement des meules dont la vitesse de rotation maximale est au moins égale à « No Load RPM » (la vitesse à vide) indiquée sur la plaque signalétique de l'outil. Utilisez exclusivement des meules tronçonneuses renforcées de fibre de verre.

- Avant l'utilisation, vérifiez toujours soigneusement l'absence de fissures ou de dommages sur la meule tronçonneuse. Remplacez immédiatement toute meule fissurée ou endommagée. Faites tourner l'outil à vide (avec son protecteur) pendant environ 1 minute, en le maintenant à l'écart de toute personne présente. Si la meule est défectueuse, elle se détachera probablement pendant ce test.
- Fixez soigneusement la meule tronçonneuse.
- Utilisez exclusivement les flasques spécifiés pour cet outil.
- Prenez garde d'endommager l'arbre, les flasques (tout particulièrement la surface de pose) ou le boulon. La meule risque de casser si ces pièces sont endommagées.


7. N'utilisez jamais l'outil si les protecteurs ne sont pas bien en place. Avant chaque utilisation, assurez-vous que le protecteur de meule se referme bien. N'utilisez pas l'outil si le protecteur de meule ne se déplace pas librement et ne se referme pas sur la meule instantanément. N'immobilisez ou ne fixez jamais le protecteur de meule en position ouverte.
8. Tenez la poignée fermement.
9. Gardez les mains éloignées des pièces en rotation.
10. Assurez-vous que la meule tronçonneuse n'entre pas en contact avec la pièce avant de mettre l'outil sous tension.
11. Avant d'utiliser l'outil sur la pièce elle-même, laissez-le tourner un instant. Soyez attentif à toute vibration ou sautellement pouvant indiquer que la meule n'est pas bien installée ou qu'elle est mal équilibrée.
12. Prenez garde aux étincelles pendant l'utilisation. Elles peuvent causer des blessures ou enflammer les matériaux combustibles.
13. Retirez de la zone de travail tout matériau ou débris pouvant être enflammé par les étincelles. Assurez-vous que personne ne se trouve là où l'outil lance des étincelles. Gardez toujours un extincteur propre et plein à portée de la main.
14. Utilisez exclusivement le tranchant de la meule tronçonneuse. N'utilisez jamais sa face latérale.
15. N'essayez pas de verrouiller la gâchette en position de marche.
16. Si la meule tronçonneuse s'arrête pendant l'opération, émet un bruit anormal ou se met à vibrer, éteignez immédiatement l'outil.
17. Éteignez l'outil et attendez l'arrêt de la meule tronçonneuse avant de déplacer la pièce à travailler ou de modifier les réglages.
18. Ne touchez jamais la pièce juste après l'opération; elle est alors extrêmement chaude et risquerait de vous brûler.
19. Rangez toujours les meules dans un endroit sec.
20. Avant chaque utilisation, assurez-vous de l'absence de flottement ou de vibrations excessives, qui peuvent être causés par une meule mal installée ou mal équilibrée.

CONSERVEZ CE MODE D'EMPLOI.

▲ MISE EN GARDE : Une MAUVAISE UTILISATION de l'outil ou l'ignorance des consignes de sécurité du présent manuel d'instructions peuvent entraîner une grave blessure.

Symboles

Les symboles utilisés pour l'outil sont indiqués ci-dessous.

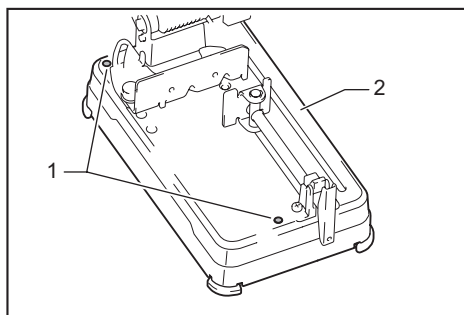
V	volts
A	ampères
Hz	hertz
~	courant alternatif
	construction, catégorie II
... /min r /min	tours ou alternances par minute

POSE

▲ MISE EN GARDE : Cet outil produit des étincelles en coupant la pièce. N'installez pas cet outil dans un emplacement où les étincelles lancées par l'outil risquent de mettre feu aux matériaux inflammables et/ou explosifs. Assurez-vous aussi qu'il n'y a pas de tels matériaux près de l'outil avant de commencer le travail.

Fixation de la base

Cet outil doit être fixé à une surface plane et stable au moyen de deux boulons insérés dans les trous de boulon prévus à cet effet sur la base de l'outil. Cela aidera à prévenir les risques de basculement et de blessure.



► 1. Trous de boulon 2. Base

DESCRIPTION DU FONCTIONNEMENT

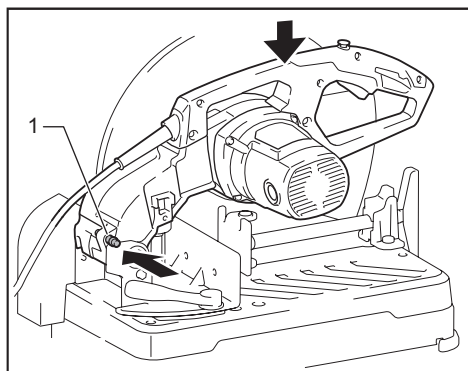
⚠ ATTENTION : Assurez-vous toujours que l'outil est hors tension et débranché avant de l'ajuster ou de vérifier son fonctionnement.

Déverrouillage/verrouillage de la tête d'outil

Il est possible de verrouiller la tête d'outil. Lorsque vous n'utilisez pas l'outil ou lorsque vous le transportez, verrouillez toujours la tête d'outil.

Pour LW1400

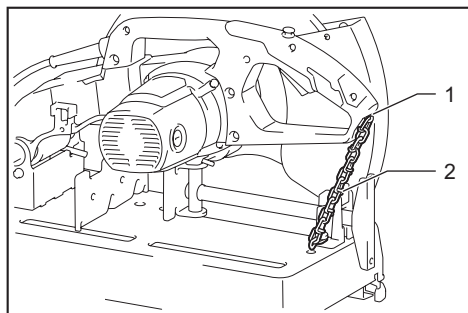
Pour déverrouiller la tête d'outil, enfoncez-la légèrement et poussez sur la broche de blocage. Pour la verrouiller, ramenez la broche de blocage tout en maintenant la tête d'outil abaissée.



► 1. Broche de blocage

Pour LW1401

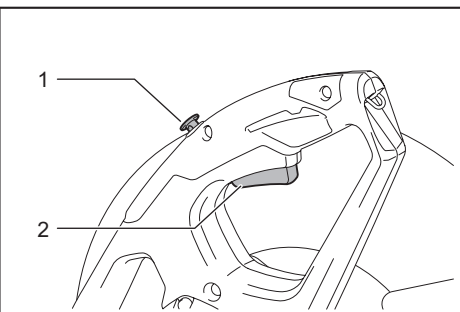
Décrochez la chaîne de blocage du crochet. Accrochez toujours la chaîne de blocage au crochet lorsqu'elle n'est pas utilisée.



► 1. Crochet 2. Chaîne de blocage

Interrupteur

⚠ MISE EN GARDE : Avant de brancher l'outil, assurez-vous toujours que la gâchette fonctionne correctement et revient en position d'arrêt une fois relâchée.



► 1. Bouton de sécurité 2. Gâchette

Un bouton de sécurité est fourni pour prévenir la pression accidentelle sur la gâchette. Pour démarrer l'outil, enfoncez le bouton de sécurité et appuyez sur la gâchette. Pour l'arrêter, relâchez la gâchette.

⚠ MISE EN GARDE : Le bouton de sécurité ne doit JAMAIS être immobilisé avec du ruban adhésif ou de toute autre façon. Une gâchette dont le bouton de sécurité est neutralisé peut causer la mise en marche accidentelle et une grave blessure.

⚠ MISE EN GARDE : N'utilisez JAMAIS l'outil s'il s'active simplement en appuyant sur la gâchette sans enfoncer le bouton de sécurité. Une gâchette défectueuse peut causer la mise en marche accidentelle et une grave blessure. AVANT de poursuivre l'utilisation, retournez l'outil à un centre de service après-vente Makita pour le faire réparer.

AVIS : Ne tirez pas fortement sur la gâchette sans avoir d'abord enfoncé le bouton de sécurité. Vous risquez de casser la gâchette.

Intervalle entre l'étau et la butée orientable

⚠ ATTENTION : Après avoir ajusté l'intervalle entre l'étau et la butée orientable, assurez-vous que la butée orientable est bien fixée. Il y a un risque de blessure si elle n'est pas fixée assez solidement.

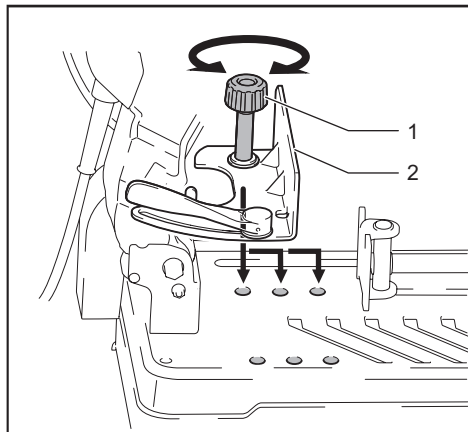
Les réglages d'intervalle suivants de l'étau sont disponibles :

- 0 - 170 mm (0" - 6-11/16") (réglage original)
- 35 - 205 mm (1-3/8" - 8-1/16")
- 70 - 240 mm (2-3/4" - 9-7/16")

Si votre travail exige un réglage différent, procédez comme suit pour changer l'espacement ou l'intervalle.

Pour LW1400

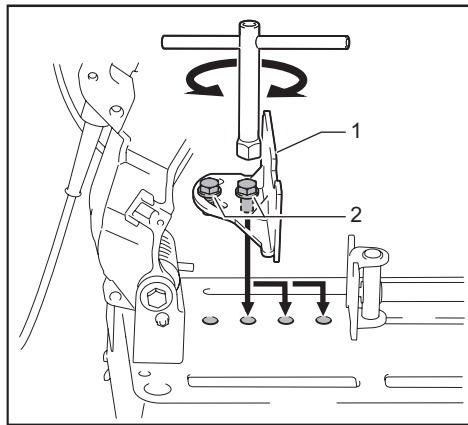
Desserrez la vis sur la butée orientable. Déplacez la butée orientable sur la position désirée, puis serrez la vis.



► 1. Vis 2. Butée orientable

Pour LW1401

Retirez les deux boulons hexagonaux à l'aide d'une clé à douille. Déplacez la butée orientable sur la position désirée et fixez-la avec les boulons hexagonaux.



► 1. Butée orientable 2. Boulons hexagonaux

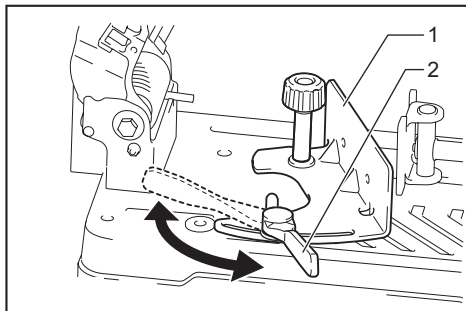
Ajustement de l'angle de coupe

⚠ ATTENTION : Après avoir ajusté l'angle de la butée orientable, assurez-vous qu'elle est bien fixée. Il y a risque de blessure si elle n'est pas fixée assez solidement.

⚠ ATTENTION : N'utilisez pas l'outil lorsque le matériau n'est pas fermement fixé avec l'étau en raison de l'angle de coupe.

Pour LW1400

Tournez le levier dans le sens contraire des aiguilles d'une montre. Déplacez la butée orientable sur l'angle désiré, puis serrez complètement le levier.

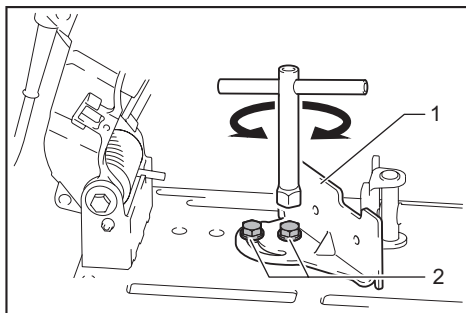


► 1. Butée orientable 2. Levier

Pour LW1401

AVIS : Lorsque vous effectuez une coupe d'onglet du côté droit, réglez toujours la butée orientable sur la position 0 - 170 mm (0"- 6-11/16"). Le mouvement du limiteur de course sera gêné en cas de réglage sur la position 35 - 205 mm (1-3/8"- 8-1/16") ou 70 - 240 mm (2-3/4"- 9-7/16"), et cela résultera en une coupe ratée.

Desserrez les deux boulons hexagonaux à l'aide d'une clé à douille. Tournez la butée orientable sur l'angle désiré et fixez-la avec les boulons hexagonaux. Évitez de modifier l'angle de réglage en fixant les boulons hexagonaux.

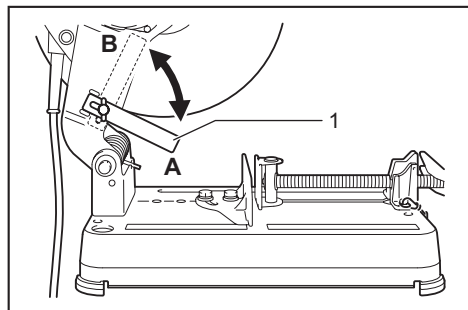


► 1. Butée orientable 2. Boulons hexagonaux

NOTE : L'échelle sur la butée orientable n'est qu'une indication grossière. Pour un angle plus précis, utilisez un rapporteur ou une équerre. Maintenez la poignée vers le bas pour que la meule tronçonneuse se prolonge dans la base. En même temps, ajustez l'angle entre la butée orientable et la meule tronçonneuse avec un rapporteur ou une équerre.

Limiteur de course

Pour LW1401 uniquement (spécifique au pays)



► 1. Limiteur de course

Le limiteur de course empêche la meule tronçonneuse de toucher l'établi ou le plancher. Quand vous installez une meule tronçonneuse neuve, mettez le limiteur de course sur la position (A). Quand la meule tronçonneuse s'use au point de ne plus couper la section inférieure de la pièce, mettez le limiteur de course sur la position (B) de façon à accroître la capacité de coupe avec une meule usée.

ASSEMBLAGE

⚠ ATTENTION : Avant d'effectuer toute intervention sur l'outil, assurez-vous toujours qu'il est hors tension et débranché.

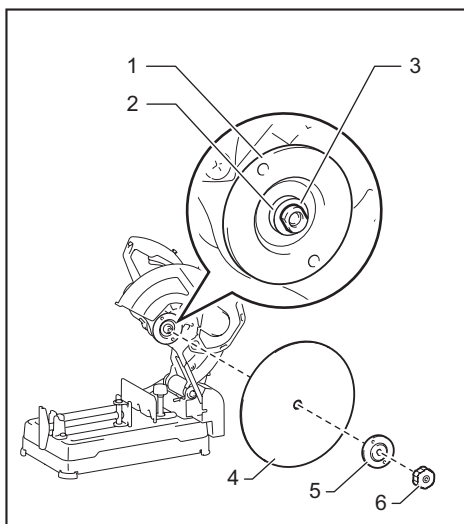
Retrait ou pose de la meule tronçonneuse

⚠ ATTENTION : Pensez à bien serrer le dispositif de serrage sans outil ou le boulon hexagonal. Un serrage insuffisant peut entraîner une grave blessure. Lorsque vous serrez le boulon hexagonal, utilisez la clé à douille fournie avec l'outil pour assurer un serrage adéquat.

⚠ ATTENTION : N'utilisez comme flasques intérieur et extérieur que les pièces fournies avec l'outil.

⚠ ATTENTION : Rabaissez toujours le protecteur de sécurité après avoir remplacé la meule.

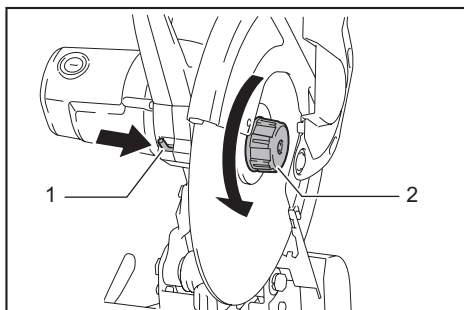
⚠ ATTENTION : Portez des gants pour manipuler les meules.



► 1. Flasque intérieur 2. Anneau 3. Joint torique
4. Meule tronçonneuse 5. Flasque extérieur
6. Dispositif de serrage sans outil / Boulon hexagonal

Pour LW1400

Soulevez le protecteur de sécurité. Tournez le dispositif de serrage sans outil dans le sens contraire des aiguilles d'une montre tout en maintenant le blocage de l'arbre abaissé. Retirez ensuite le dispositif de serrage sans outil, le flasque extérieur et la meule tronçonneuse. Lorsque vous retirez la meule tronçonneuse, ne retirez pas le flasque intérieur, l'anneau et le joint torique.

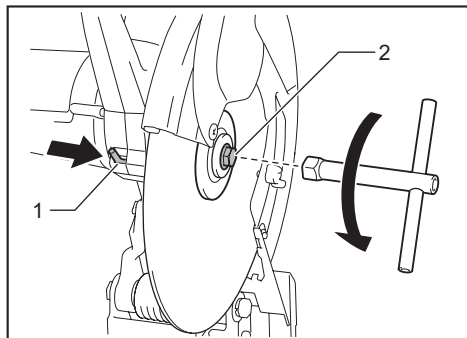


► 1. Blocage de l'arbre 2. Dispositif de serrage sans outil

Pour installer la meule tronçonneuse, suivez la procédure de retrait en sens inverse. Assurez-vous de bien placer l'orifice de la meule tronçonneuse sur l'anneau, et ramenez le protecteur de sécurité.

Pour LW1401

Soulevez le protecteur de sécurité. Tournez le boulon hexagonal dans le sens contraire des aiguilles d'une montre à l'aide d'une clé à douille, tout en maintenant le blocage de l'arbre abaissé. Retirez ensuite le boulon hexagonal, le flasque extérieur et la meule.



► 1. Blocage de l'arbre 2. Boulon hexagonal

Pour installer la meule, suivez la procédure de retrait en sens inverse. Assurez-vous de bien placer l'orifice de la meule tronçonneuse sur l'anneau, et ramenez le protecteur de sécurité.

UTILISATION

ATTENTION : Déterminez la pression adéquate sur la poignée et le rendement optimal de coupe en fonction de la quantité d'étincelles produites pendant la coupe. Ne forcez pas la coupe en appuyant trop fort sur la poignée. Cela réduirait le rendement de coupe et userait prématurément la meule, en plus de risquer d'endommager l'outil, la meule tronçonneuse ou la pièce.

Tenez la poignée fermement. Mettez l'outil sous tension et attendez que la meule tronçonneuse ait atteint sa pleine vitesse avant de l'abaisser doucement en position de coupe. Lorsque la meule tronçonneuse arrive au contact de la pièce, pesez progressivement sur la poignée pour effectuer la coupe. Dès que la coupe est terminée, arrêtez l'outil et attendez l'arrêt complet de la meule tronçonneuse avant de laisser la poignée revenir en position complètement élevée.

Capacité de coupe

La capacité de coupe maximale varie suivant l'angle de coupe et la forme de la pièce.

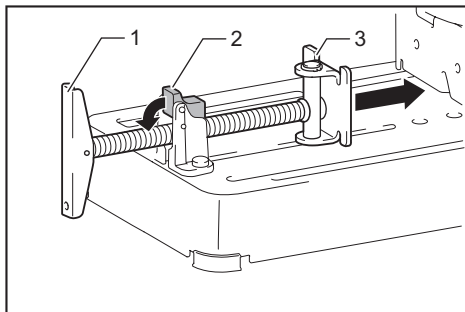
Capacité de coupe max. avec une meule tronçonneuse neuve

Angle de coupe / Forme de la pièce	90°	45°
	127 mm (5")	127 mm (5")
	115 x 130 mm (4-1/2"x 5-1/8") 102 x 194 mm (4"x 7-5/8") 70 x 233 mm (2-3/4"-9-1/8")	115 x 103 mm (4-1/2"- 4-1/16")
	119 x 119 mm (4-11/16"x 4-11/16")	106 x 106 mm (4-3/16"x 4-3/16")
	137 x 137 x 10 mm (5-3/8"x 5-3/8"x 3/8")	100 x 100 x 10 mm (4"x 4"x 3/8")

Immobilisation de la pièce

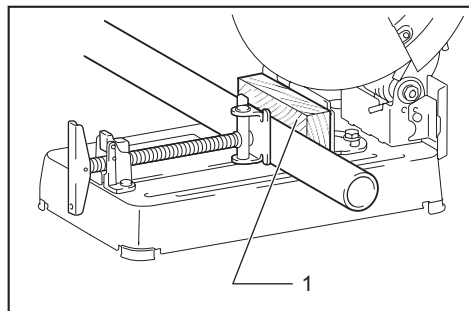
ATTENTION : Placez toujours le support de filetage sur les filets de l'arbre lorsque vous immobilisez la pièce à travailler. Sinon, la pièce risque de ne pas être assez solidement immobilisée. Cela peut causer l'éjection de la pièce ou une dangereuse rupture de la meule tronçonneuse.

Pendant que le support de filetage est soulevé, il est possible de déplacer rapidement la plaque d'étau vers l'intérieur ou l'extérieur. Pour serrer la pièce à travailler, poussez sur la poignée jusqu'à ce que la plaque d'étau entre en contact avec la pièce, puis ramenez le support de filetage. Tournez la poignée dans le sens des aiguilles d'une montre jusqu'à ce que la pièce soit solidement retenue.



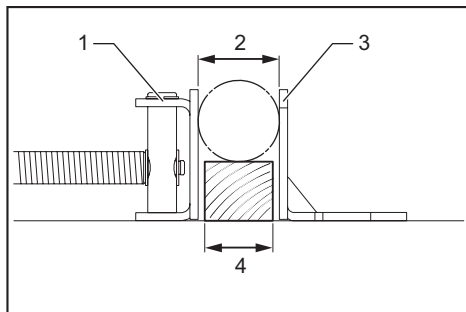
► 1. Poignée 2. Support de filetage 3. Plaque d'étau

Lorsque la meule tronçonneuse est considérablement usée, mettez une cale d'espacement derrière la pièce, tel qu'illustré sur la figure. Vous pouvez utiliser une meule usée plus efficacement en utilisant le point milieu de la périphérie de la meule pour couper la pièce. Pour la cale d'espacement, utilisez un matériau solide et ininflammable.



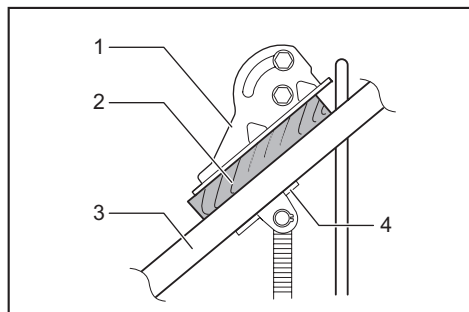
► 1. Cale d'espacement

Lorsque la meule tronçonneuse est usée, élevez la position de coupe en mettant une cale d'espacement légèrement plus étroite que la pièce, tel qu'illustré sur la figure. Cela vous aidera à utiliser la meule tronçonneuse de manière plus économique.



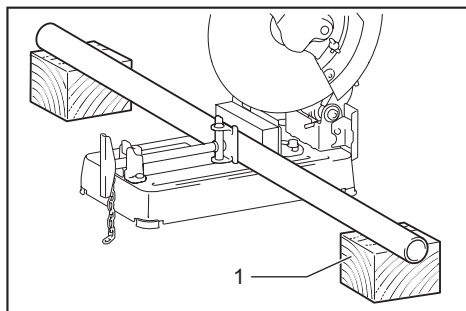
► 1. Plaque d'étau 2. Diamètre de la pièce à travailler 3. Butée orientable 4. Large de la cale d'espacement

Lorsque vous coupez en angle des pièces d'une largeur supérieure à 85 mm (3-3/8"), fixez une pièce de bois rectiligne (une entretoise) d'une longueur supérieure à 190 mm (7-1/2") et d'une largeur de 45 mm (1-3/4") sur la butée orientable, tel qu'illustré sur la figure. Fixez cette entretoise en insérant des vis dans les orifices de la butée orientable. Assurez-vous que la meule tronçonneuse ne touche pas l'entretoise lorsque la tête d'outil est enfoncée.



► 1. Butée orientable 2. Cale d'espacement d'une longueur supérieure à 190 mm (7-1/2") et d'une largeur de 45 mm (1-3/4") 3. Pièce d'une largeur supérieure à 85 mm (3-3/8") 4. Plaque d'étau

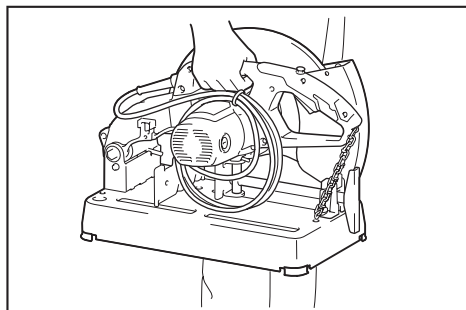
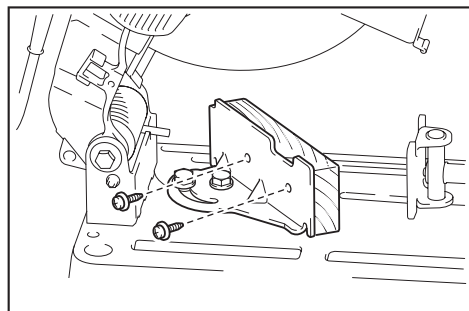
Les longues pièces à travailler doivent être soutenues de chaque côté par des blocs placés au même niveau que le dessus de la base. Utilisez un matériau ininflammable pour les blocs de soutien.



► 1. Bloc de soutien

Transport de l'outil

Rabattez la tête d'outil et verrouillez-la. Tenez l'outil par sa poignée pour le transporter.

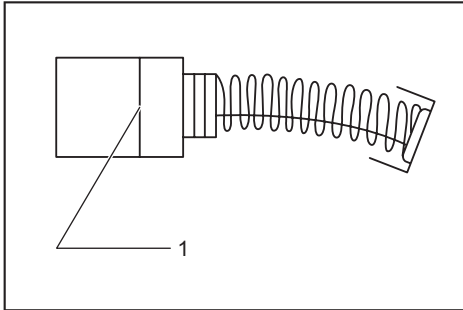


ENTRETIEN

⚠ ATTENTION : Assurez-vous toujours que l'outil est hors tension et débranché avant d'y effectuer tout travail d'inspection ou d'entretien.

AVIS : N'utilisez jamais d'essence, de benzène, de solvant, d'alcool ou autres produits similaires. Une décoloration, une déformation ou la formation de fissures peuvent en découler.

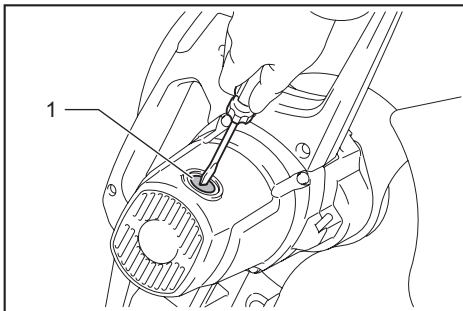
Remplacement des charbons



► 1. Trait de limite d'usure

Vérifiez les charbons régulièrement. Remplacez-les lorsqu'ils sont usés jusqu'au trait de limite d'usure. Maintenez les charbons propres et en état de glisser aisément dans les porte-charbon. Les deux charbons doivent être remplacés en même temps. N'utilisez que des charbons identiques.

1. Utilisez un tournevis pour retirer les capuchons de porte-charbon.
2. Enlevez les charbons usés, insérez-en de nouveaux et revissez solidement les capuchons de porte-charbon.



► 1. Capuchon de porte-charbon

ACCESSOIRES EN OPTION

⚠ ATTENTION : Ces accessoires ou pièces complémentaires sont recommandés pour l'utilisation avec l'outil Makita spécifié dans ce manuel. L'utilisation de tout autre accessoire ou pièce complémentaire peut comporter un risque de blessure. N'utilisez les accessoires ou pièces complémentaires qu'aux fins auxquelles ils ont été conçus.

Si vous désirez obtenir plus de détails sur ces accessoires, veuillez contacter le centre de service après-vente Makita le plus près.

- Meules tronçonneuses abrasives
- Clé à douille (pour LW1401 uniquement)

NOTE : Certains éléments de la liste peuvent être inclus avec l'outil comme accessoires standards. Ils peuvent varier suivant les pays.

GARANTIE LIMITÉE MAKITA

Pour les conditions de garantie en vigueur qui s'appliquent à ce produit, veuillez vous reporter à la feuille de garantie en annexe. Si la feuille de garantie en annexe n'est pas disponible, reportez-vous aux détails de la garantie présentés sur le site Web de votre pays, ci-dessous.

États-Unis d'Amérique: www.makitatools.com

Canada: www.makita.ca

Autres pays: www.makita.com

ESPECIFICACIONES

Modelo:		LW1400	LW1401
Especificaciones eléctricas en México		120 V ~ 15 A 50/60 Hz	
Diámetro del disco		355 mm (14")	
Diámetro del orificio		25,4 mm (1")	
Velocidad sin carga (RPM)		3 800 r/min	
Dimensiones (La x An x Al)	Con protección de seguridad que no sea del tipo europeo	530 mm x 295 mm x 640 mm (20-7/8" x 11-5/8" x 25-1/4")	500 mm x 290 mm x 620 mm (19-3/4" x 11-3/8" x 24-3/8")
Peso neto	Con protección de seguridad que no sea del tipo europeo	17,2 kg (37,9 lbs)	16,8 kg (37,0 lbs)
Clase de seguridad		□/II	

- Debido a nuestro programa continuo de investigación y desarrollo, las especificaciones aquí dadas están sujetas a cambios sin previo aviso.
- Las especificaciones pueden variar de país a país.
- Peso de acuerdo con el procedimiento 01/2014 de EPTA
- La forma y el peso varían en función de las especificaciones las cuales son distintas en cada país.

Por su propia seguridad lea el manual de instrucciones Antes de utilizar la herramienta. Conserve las instrucciones para referencia en el futuro.

Precauciones de seguridad generales (para todas las herramientas)

- 1. CONOZCA SU HERRAMIENTA ELÉCTRICA.** Lea el manual del usuario atentamente. Conozca las aplicaciones y limitaciones de la herramienta, así como los riesgos potenciales específicos de la misma.
- 2. NO quite los protectores** y manténgalos en buen estado de funcionamiento.
- 3. RETIRE LAS LLAVES DE AJUSTE Y DE APRIETE.** Adquiera el hábito de comprobar y ver que las llaves de ajuste y de apriete hayan sido retiradas de la herramienta antes de encenderla.
- 4. MANTENGA EL ÁREA DE TRABAJO LIMPIA.** Las áreas y bancos de trabajo desordenados pueden ocasionar accidentes.
- 5. NO LAS UTILICE EN ENTORNOS PELIGROSOS.** No utilice las herramientas eléctricas en lugares húmedos o mojados, ni las exponga a la lluvia. Mantenga el área de trabajo bien iluminada. No utilice la herramienta en presencia de líquidos o gases inflamables.
- 6. MANTENGA ALEJADOS A LOS NIÑOS.** Todos los visitantes deberán ser mantenidos a una distancia segura del área de trabajo.
- 7. MANTENGA EL TALLER A PRUEBA DE NIÑOS** con candados, interruptores maestros, o quitando las llaves de encendido.
- 8. NO FUERCE LA HERRAMIENTA.** Ésta hará el trabajo mejor y de forma más segura a la velocidad para la que fue diseñada.
- 9. UTILICE LA HERRAMIENTA APROPIADA.** No fuerce la herramienta ni los accesorios para realizar un trabajo para el que no hayan sido diseñados.
- 10. USE UNA VESTIMENTA ADECUADA.** No se ponga ropa holgada, guantes, corbata, anillos, pulseras, ni otro tipo de alhajas que puedan engancharse en las piezas móviles. Se recomienda utilizar calzado antiderrapante. Lleve protección en el cabello para cubrirlo en caso de tenerlo largo.
- 11. UTILICE SIEMPRE GAFAS DE SEGURIDAD.** Utilice también careta o máscara contra polvo si la operación de corte es polvorienta. Los anteojos de uso diario para la vista sólo tienen lentes resistentes a impactos, NO son gafas de seguridad.
- 12. SUJETE LA PIEZA DE TRABAJO.** Utilice pinzas o un tornillo de banco para sujetar la pieza de trabajo cuando resulte práctico. Es más seguro que utilizar la mano y además dispondrá de ambas manos para manejar la herramienta.
- 13. NO UTILICE LA HERRAMIENTA DONDE NO ALCANCE.** Mantenga los pies sobre suelo firme y el equilibrio en todo momento.
- 14. DÉLE UN DEBIDO MANTENIMIENTO A LAS HERRAMIENTAS.** Mantenga las herramientas afiladas y limpias para un mejor desempeño y mayor seguridad. Siga las instrucciones para lubricar y cambiar los accesorios.
- 15. DESCONECTE LAS HERRAMIENTAS** antes de darles servicio; cuando cambie accesorios tales como discos, brocas, cuchillas, entre otros.
- 16. REDUZCA EL RIESGO DE ENCENDIDO ACCIDENTAL.** Asegúrese de que el interruptor se encuentre en la posición de apagado antes de conectar la herramienta.

17. **UTILICE LOS ACCESORIOS RECOMENDADOS.** Consulte el manual del usuario para ver los accesorios recomendados. El uso de accesorios no apropiados podría ocasionar riesgo de lesiones personales.
18. **NUNCA SE PARE ENCIMA DE LA HERRAMIENTA.** El volcar la herramienta o tocar accidentalmente la herramienta de corte podría ocasionar lesiones graves.
19. **INSPECCIONE LAS PIEZAS DAÑADAS.** Si un protector u otra pieza están dañados, antes de seguir utilizando la herramienta deberá revisarlos cuidadosamente para cerciorarse de que van a funcionar correctamente y realizar el trabajo para el que fueron diseñados - verifique la alineación de las piezas móviles, la sujeción de las piezas móviles, que no haya piezas rotas, el montaje y cualquier otra condición que pueda afectar su operación. Cualquier protector o pieza dañada deberá repararse debidamente o reemplazarse.
20. **DIRECCIÓN DE AVANCE.** Avance la pieza de trabajo hacia el disco o cuchilla solamente en sentido contrario a la dirección de rotación de los mismos.
21. **NUNCA DEJE LA HERRAMIENTA DESATENDIDA MIENTRAS ESTÉ EN MARCHA. DESCONECTE LA ALIMENTACIÓN.** No deje la herramienta hasta que se haya detenido completamente.
22. **PIEZAS DE REPUESTO** Cuando dé servicio a la herramienta, utilice solamente piezas de repuesto idénticas.
23. **CLAVIJAS POLARIZADAS** Para reducir el riesgo de descargas eléctricas, este equipo tiene una clavija polarizada (un borne es más ancho que el otro). Esta clavija encajará en una toma de corriente polarizada en un sentido solamente. Si la clavija no encaja totalmente en la toma de corriente, invierta la clavija. Si aún así no encaja, póngase en contacto con un electricista calificado para que instale la toma de corriente apropiada. No modifique la clavija de ninguna forma.

ADVERTENCIA SOBRE EL VOLTAJE: Antes de conectar la herramienta a una fuente de alimentación (receptáculo, toma de corriente, etc.), asegúrese de que el voltaje suministrado es el mismo que el especificado en la placa de características de la herramienta. Una fuente de alimentación con un voltaje mayor que el especificado para la herramienta podría ocasionar **LESIONES GRAVES al usuario** - así como daños a la herramienta. Si no está seguro, **NO CONECTE LA HERRAMIENTA.** El uso de una fuente de alimentación con un voltaje menor al nominal indicado en la placa de características es dañino para el motor.

UTILICE CABLES DE EXTENSIÓN APROPIADOS. Asegúrese de que su cable de extensión esté en buenas condiciones. Cuando utilice un cable de extensión, asegúrese de usar uno del calibre suficiente para conducir la corriente que demande el producto. Un cable de calibre inferior ocasionará una caída en el voltaje de línea y a su vez una pérdida de potencia y sobrecalentamiento. La Tabla 1 muestra el tamaño correcto que se debe utilizar dependiendo de la longitud del cable y el amperaje nominal indicado en la placa de características. Si no está seguro, utilice el siguiente calibre más alto. Cuanto menor sea el número de calibre, más potente será el cable.

Tabla 1: Calibre mínimo para el cable

Amperaje nominal		Voltios	Longitud total del cable en metros			
			7 m (25 ft.)	15 m (50 ft.)	30 m (100 ft.)	45,7 m (150 ft.)
120 V ~			7 m (25 ft.)	15 m (50 ft.)	30 m (100 ft.)	45,7 m (150 ft.)
220 V ~ - 240 V ~			15 m (50 ft.)	30 m (100 ft.)	60,9 m (200 ft.)	91,4 m (300 ft.)
Más de	No más de	Calibre del cable (AWG)				
0 A	6 A	-	18	16	16	14
6 A	10 A		18	16	14	12
10 A	12 A		16	16	14	12
12 A	16 A		14	12	No se recomienda	

Normas específicas de seguridad

NO deje que la comodidad o familiaridad con el producto (a base de utilizarlo repetidamente) sustituya la estricta observancia de las normas de seguridad para la tronzadora de metal. El no utilizar esta herramienta de forma segura o correcta podría ocasionarle lesiones personales graves.

1. Use protección para los oídos durante los períodos de operación prolongados.
2. Utilice sólo discos cuya velocidad de operación máxima sea al menos tan alta como la velocidad sin carga de la herramienta (r/min ó RPM) marcada en la placa de características de la herramienta. Utilice sólo discos de corte reforzados con fibra de vidrio.
3. Revise cuidadosamente el disco de corte para ver que no tenga grietas o daños antes de la operación. Reemplace de inmediato el disco en caso de presentar grietas o daños. Haga funcionar la herramienta (con protector) sin carga alrededor de un minuto, sosteniendo la herramienta lejos de las demás personas. Si el disco presenta fallas, es posible que se separe durante esta prueba.
4. Asegure el disco de corte cuidadosamente.
5. Utilice solamente las bridas especificadas para esta herramienta.
6. Tenga cuidado de no dañar el eje, las bridas (especialmente la superficie de instalación) o el perno. Si estas piezas se dañan el disco podría romperse.

7. No opere la herramienta sin los protectores puestos. Verifique que el protector de el disco cierre correctamente antes de cada uso. No opere la herramienta si el protector el disco no se mueve libremente o no cierra de manera instantánea. Nunca fije o sujete el protector de el disco en la posición abierta.
8. Sostenga firmemente el mango.
9. Mantenga las manos alejadas de las piezas giratorias.
10. Asegúrese de que el disco de corte no esté haciendo contacto con la pieza de trabajo antes de activar el interruptor.
11. Antes de utilizar la herramienta en una pieza de trabajo definitiva, déjala funcionar durante un rato. Observe si hay vibración o bamboleo que pueda indicar una instalación incorrecta o un disco mal equilibrada.
12. Tenga cuidado con las chispas que se desprenden durante la operación. Estas pueden ocasionar lesiones o prender fuego a los materiales combustibles.
13. Elimine del área de trabajo el material o residuos que podrían encenderse a causa de las chispas. Asegúrese de que no haya nadie en el área donde se desprendan las chispas. Tenga cerca un extintor de incendios cargado y en buenas condiciones.
14. Solo utilice el borde cortante del disco de corte. Nunca utilice la superficie lateral.
15. No intente mantener el gatillo en la posición de ENCENDIDO.
16. Si el disco de corte se detiene durante la operación, o si hace un ruido extraño o comienza a vibrar, apague la herramienta de inmediato.
17. Apague la herramienta y espere a que el disco de corte se detenga antes de mover la pieza de trabajo o cambiar los ajustes.
18. No toque la pieza de trabajo inmediatamente después de la operación, ya que podría estar extremadamente caliente y provocarle quemaduras en la piel.
19. Almacene los discos sólo en un lugar seco.
20. Antes de cada uso, observe si hay temblor o vibración excesiva que pudiera ser causada por una instalación incorrecta o un disco mal equilibrado.


GUARDE ESTAS INSTRUCCIONES.

⚠ ADVERTENCIA: EL USO INCORRECTO o el no seguir las normas de seguridad indicadas en este manual de instrucciones puede ocasionar lesiones personales graves.

⚠ ADVERTENCIA: Este aparato no se destina para utilizarse por personas (incluyendo niños) cuyas capacidades físicas, sensoriales o mentales sean diferentes o estén reducidas o carezcan de experiencia o de conocimiento, a menos que dichas personas reciban una supervisión o capacitación para el funcionamiento del aparato por una persona responsable de su seguridad. Los niños deben supervisarse para asegurar que ellos no empleen los aparatos como juguete. Si el cordón de alimentación es dañado, éste debe sustituirse por el fabricante, por su agente de servicio autorizado o por personal calificado con el fin de evitar un peligro.

Símbolos

A continuación se muestran los símbolos utilizados para la herramienta.

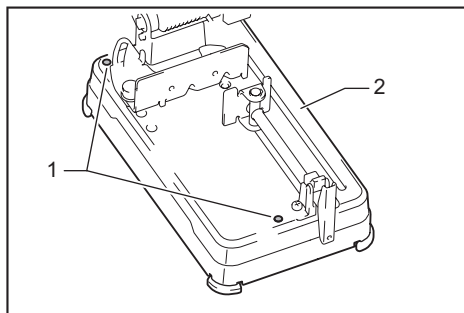
V	volts o voltios
A	amperes
Hz	hertz
~	corriente alterna
	Construcción clase II
... /min r/min	revoluciones o alternaciones por minuto, frecuencia de rotación

INSTALACIÓN

⚠ ADVERTENCIA: Esta herramienta produce chispas al cortar una pieza de trabajo. No instale esta herramienta en un lugar donde las chispas que se desprenden de ella podrían prender fuego a los materiales inflamables y/o explosivos. Asimismo, asegúrese de que no haya este tipo de materiales cerca de la herramienta antes de empezar la operación.

Fijación de la base

Esta herramienta debe atornillarse con dos pernos a una superficie nivelada y estable, utilizando los orificios para pernos que se encuentran en la base de la herramienta. Esto ayudará a evitar que la herramienta se vuelque y pueda ocasionar lesiones personales.



► 1. Orificios para pernos 2. Base

DESCRIPCIÓN DEL FUNCIONAMIENTO

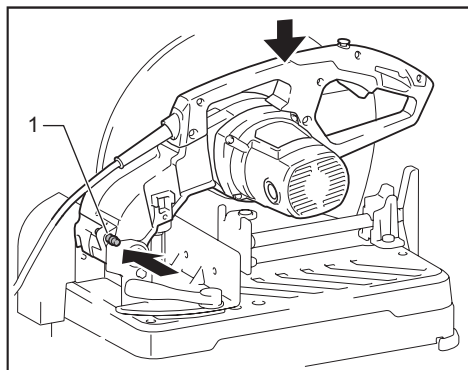
⚠PRECAUCIÓN: Asegúrese siempre de que la herramienta esté apagada y desconectada antes de ajustar o comprobar cualquier función en la herramienta.

Desbloqueo/bloqueo del cabezal de la herramienta

El cabezal de la herramienta puede bloquearse. Siempre bloquee el cabezal de la herramienta cuando no la esté usando o la esté cargando.

Para el modelo LW1400

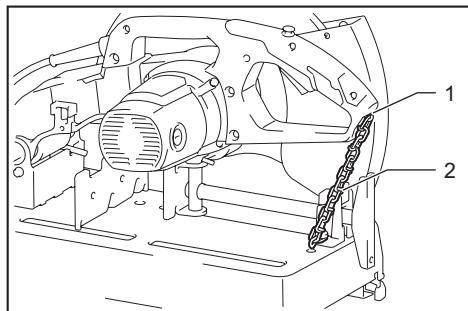
Para desbloquear, presione ligeramente el cabezal de la herramienta y empuje el pasador de bloqueo. Para bloquear, regrese el pasador de bloqueo manteniendo presionado el cabezal de la herramienta.



► 1. Pasador de bloqueo

Para el modelo LW1401

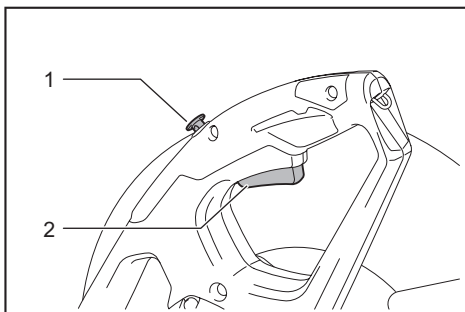
Desenganche la cadena de bloqueo del gancho. Siempre enganche la cadena de bloqueo al gancho cuando no esté usando la herramienta.



► 1. Gancho 2. Cadena de bloqueo

Accionamiento del interruptor

⚠ADVERTENCIA: Antes de conectar la herramienta, compruebe siempre que el gatillo interruptor se accione debidamente y que regrese a la posición de apagado (OFF) cuando se libere.



► 1. Botón de desbloqueo 2. Gatillo interruptor

El botón de desbloqueo es suministrado para evitar jalar accidentalmente el gatillo interruptor. Para encender la herramienta, presione el botón de desbloqueo y jale el gatillo interruptor. Para detenerla, suelte el gatillo interruptor.

⚠ADVERTENCIA: NUNCA inhabilite el botón de desbloqueo manteniéndolo presionado con cinta adhesiva o mediante otro método. El uso de un interruptor con un botón de desbloqueo inhabilitado puede ocasionar una operación accidental y lesiones personales graves.

⚠ADVERTENCIA: NUNCA use la herramienta si se activa simplemente al jalar el gatillo interruptor sin que haya presionado el botón de desbloqueo. El uso de un interruptor que requiere reparación puede ocasionar una operación accidental y lesiones personales graves. Lleve la herramienta a un centro de servicio Makita para las reparaciones apropiadas ANTES de continuar su uso.

AVISO: No jale fuertemente el gatillo interruptor sin presionar el botón de desbloqueo. Esto podría dañar el interruptor.

Intervalo entre el tornillo de banco y la placa guía

⚠PRECAUCIÓN: Después de ajustar el intervalo entre el tornillo de banco y la placa guía, asegúrese de que la placa guía esté bien asegurada. Una fijación incorrecta podría ocasionar lesiones personales.

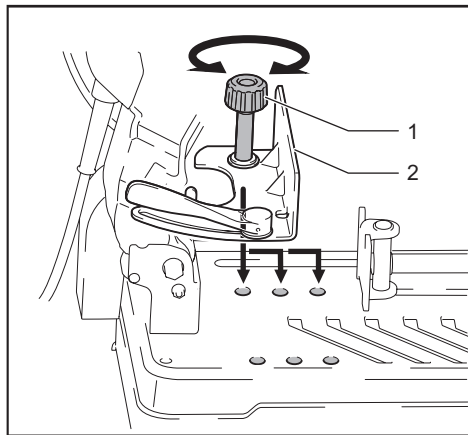
Se pueden realizar los siguientes ajustes de intervalos para el tornillo de banco:

- 0 - 170 mm (0" - 6-11/16") (ajuste original)
- 35 - 205 mm (1-3/8" - 8-1/16")
- 70 - 240 mm (2-3/4" - 9-7/16")

Si su trabajo requiere un ajuste distinto, haga lo que se indica a continuación para cambiar el espacio o intervalo.

Para el modelo LW1400

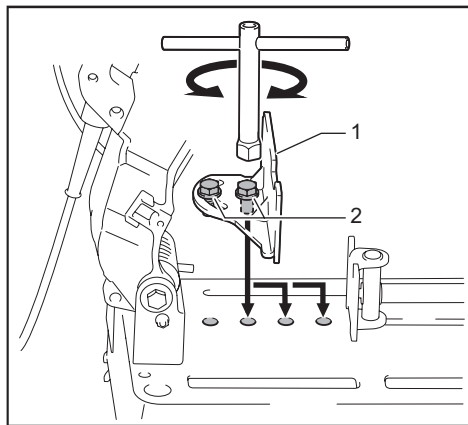
Afloje el tornillo en la placa guía. Desplace la placa guía a la posición deseada y luego apriete el tornillo.



► 1. Tornillo 2. Placa guía

Para el modelo LW1401

Quite los dos pernos hexagonales usando una llave de tubo. Desplace la placa guía a la posición deseada y asegúrela con los pernos hexagonales.



► 1. Placa guía 2. Pernos hexagonales

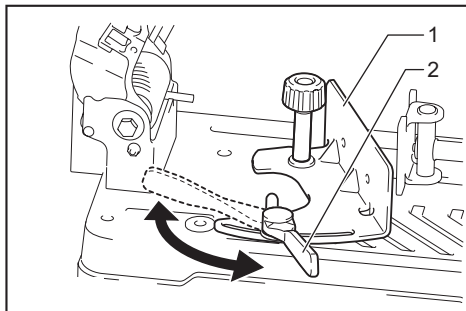
Ajuste del ángulo de corte

⚠PRECAUCIÓN: Después de ajustar el ángulo de la placa guía, asegúrese de que la placa guía esté bien asegurada. Una fijación incorrecta podría ocasionar lesiones personales.

⚠PRECAUCIÓN: No opere la herramienta cuando el material no esté firmemente asegurado con el tornillo de banco debido al ángulo de corte.

Para el modelo LW1400

Gire la palanca en sentido inverso al de las manecillas del reloj. Desplace la placa guía al ángulo deseado y apriete completamente la palanca.

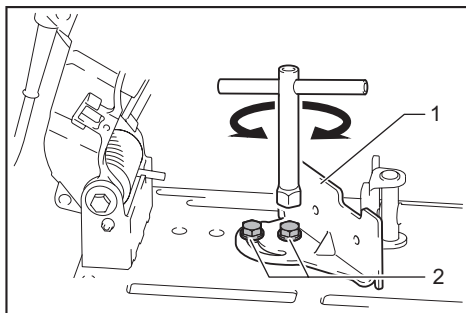


► 1. Placa guía 2. Palanca

Para el modelo LW1401

AVISO: Cuando realice un corte en inglete del lado derecho, ajuste siempre la placa guía a la posición de 0 - 170 mm (0" - 6-11/16"). El ajuste a la posición de 35 - 205 mm (1-3/8" - 8-1/16") o 70 - 240 mm (2-3/4" - 9-7/16") impedirá el movimiento de la placa de tope provocando un corte mal hecho.

Afloje los dos pernos hexagonales usando una llave de tubo. Gire la placa guía al ángulo deseado y asegúrela con los pernos hexagonales. Tenga cuidado de no mover el ángulo ajustado mientras fija los pernos hexagonales.

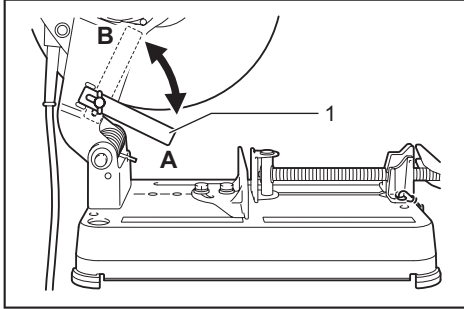


► 1. Placa guía 2. Pernos hexagonales

NOTA: La escala en la placa guía es solamente un indicador aproximado. Para un ángulo más preciso, use un transportador o una escuadra. Mantenga el mango hacia abajo de tal forma que la rueda cortadora se extienda dentro de la base. Al mismo tiempo, ajuste el ángulo entre la placa guía y el disco de corte con un transportador o una escuadra.

Placa de tope

Solamente para el modelo LW1401 (específico del país)



► 1. Placa de tope

La placa de tope evita que el disco de corte haga contacto con el banco de trabajo o con el piso. Cuando instale un disco de corte nuevo, ajuste la placa de tope a la posición (A). Cuando el disco de corte se desgaste hasta un punto en que ya no corte la porción inferior de la pieza de trabajo, ajuste la placa de tope a la posición (B) para permitir que aumente la capacidad de corte de la rueda desgastada.

MONTAJE

⚠PRECAUCIÓN: Asegúrese siempre de que la herramienta esté apagada y desconectada antes de realizar cualquier trabajo en la misma.

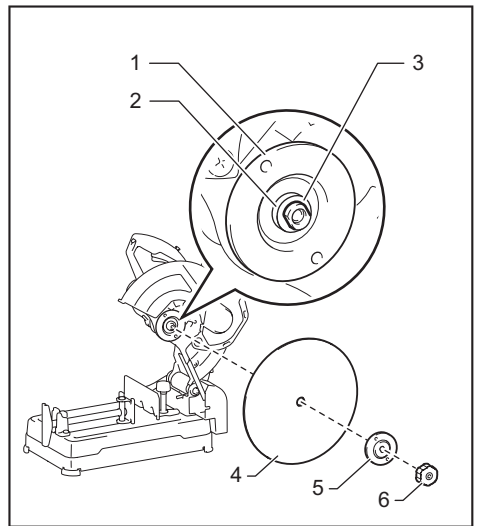
Extracción o instalación del disco de corte

⚠PRECAUCIÓN: Asegúrese de apretar firmemente la abrazadera que no requiere herramienta o el perno hexagonal. El no apretar lo suficiente podría ocasionar lesiones graves. Para apretar el perno hexagonal, use la llave de tubo provista con la herramienta para asegurarse de que quede bien apretado.

⚠PRECAUCIÓN: Siempre utilice únicamente la brida interior y exterior apropiadas que se suministran con la herramienta.

⚠PRECAUCIÓN: Siempre baje la protección de seguridad después de reemplazar el disco.

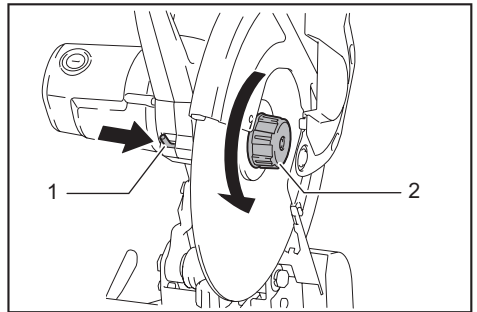
⚠PRECAUCIÓN: Use guantes cuando manipule los discos.



► 1. Brida interior 2. Anillo 3. Anillo en O 4. Disco de corte 5. Brida exterior 6. Abrazadera que no requiere herramienta / perno hexagonal

Para el modelo LW1400

Levante la protección de seguridad. Gire la abrazadera que no requiere herramienta en sentido inverso al de las manecillas del reloj manteniendo presionado el bloqueo del eje. Luego retire la abrazadera que no requiere herramienta, la brida exterior y la rueda cortadora. Cuando extraiga el disco de corte, no retire la brida interior ni tampoco el anillo y el anillo en O.

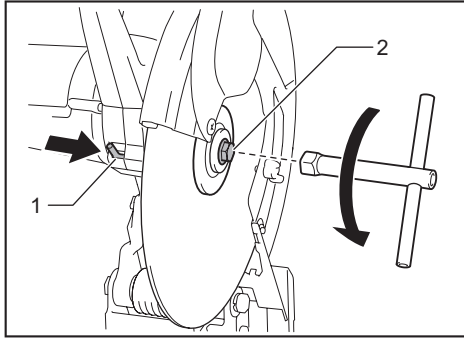


► 1. Bloqueo del eje 2. Abrazadera que no requiere herramienta

Para instalar la rueda cortadora, siga el procedimiento de extracción en orden inverso. Asegúrese que el orificio del disco de corte encaje en el anillo y regrese la protección de seguridad.

Para el modelo LW1401

Levante la protección de seguridad. Gire el perno hexagonal en sentido inverso al de las manecillas del reloj con una llave de tubo manteniendo presionado el bloque del eje. Luego retire el perno hexagonal, la brida exterior y el disco.



► 1. Bloqueo del eje 2. Perno hexagonal

Para instalar el disco, siga el procedimiento de extracción en orden inverso. Asegúrese que el orificio del disco de corte encaje en el anillo y regrese la protección de seguridad.

OPERACIÓN

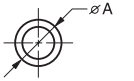
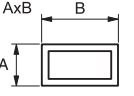
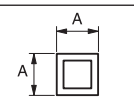
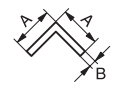
⚠PRECAUCIÓN: La presión adecuada sobre el mango durante el corte y la máxima eficacia del corte se pueden determinar por la cantidad de chispas al realizar el corte. No fuerce el corte aplicando una presión excesiva sobre el mango. Si lo hace, podría disminuir la eficacia del corte y provocar el desgaste prematuro del disco, así como posibles daños a la herramienta, a la rueda cortadora o a la pieza de trabajo.

Sostenga el mango con firmeza. Encienda la herramienta y espere a que el disco de corte alcance la velocidad máxima antes de bajarlo suavemente para introducirlo en el corte. Cuando el disco de corte haga contacto con la pieza de trabajo, haga presión gradualmente sobre el mango para realizar el corte. Una vez que haya completado el corte, apague la herramienta y espere hasta que el disco de corte se haya detenido por completo antes de volver a subir totalmente el mango.

Capacidad de corte

La capacidad máxima de corte varía según el ángulo de corte y la forma de la pieza de trabajo.

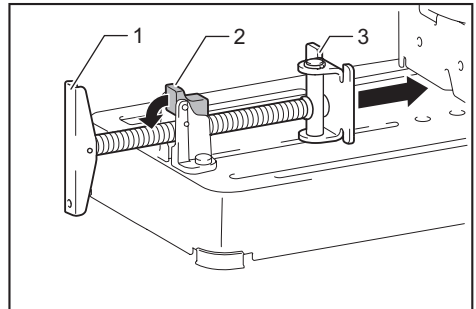
Capacidad máx. de corte con una un disco completamente nuevo

Ángulo de corte / Forma de la pieza de trabajo	90°	45°
	127 mm (5")	127 mm (5")
	115 x 130 mm (4-1/2"x 5-1/8") 102 x 194 mm (4"x 7-5/8") 70 x 233 mm (2-3/4"-9-1/8")	115 x 103 mm (4-1/2"- 4-1/16")
	119 x 119 mm (4-11/16"x 4-11/16")	106 x 106 mm (4-3/16"x 4-3/16")
	137 x 137 x 10 mm (5-3/8"x 5-3/8"x 3/8")	100 x 100 x 10 mm (4"x 4"x 3/8")

Aseguramiento de la pieza de trabajo

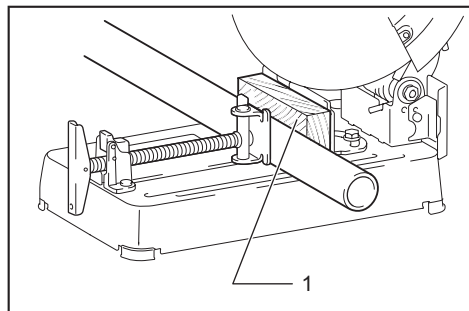
⚠PRECAUCIÓN: Al asegurar la pieza de trabajo, siempre coloque el sujetador de roscas en las roscas del eje. El no hacerlo podría dar como resultado que la pieza de trabajo no quedara bien asegurada. Esto podría ocasionar que la pieza de trabajo saliera despedida o que el disco de corte se rompiera de manera peligrosa.

Mientras se levanta el sujetador de roscas, la placa del tornillo de banco puede desplazarse hacia adentro y hacia afuera rápidamente. Para sujetar una pieza de trabajo, empuje el mango hasta que la placa del tornillo de banco haga contacto con la pieza de trabajo y luego regrese el sujetador de roscas. Gire el mango en el sentido de las manecillas del reloj hasta que la pieza de trabajo quede sujeta con firmeza.



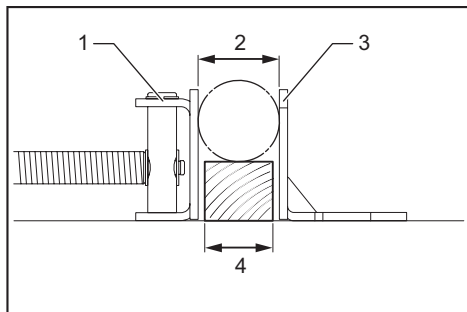
► 1. Mango 2. Sujetador de roscas 3. Placa del tornillo de banco

Cuando el disco de corte se haya desgastado considerablemente, coloque un bloque espaciador detrás de la pieza de trabajo tal como se muestra en la figura. Puede aprovechar el disco desgastada en forma más eficaz utilizando el punto medio de la periferia de el disco para cortar la pieza de trabajo. Utilice un material resistente y no inflamable para el bloque espaciador.



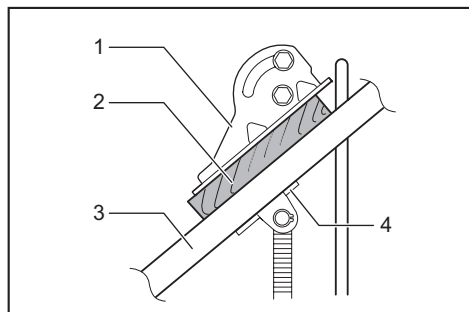
► 1. Bloque espaciador

Cuando el disco de corte se haya desgastado, aumente la posición de corte colocando un bloque espaciador que sea ligeramente más angosto que la pieza de trabajo, tal como se muestra en la figura. Esto le ayudará a utilizar el disco de corte de manera eficiente.



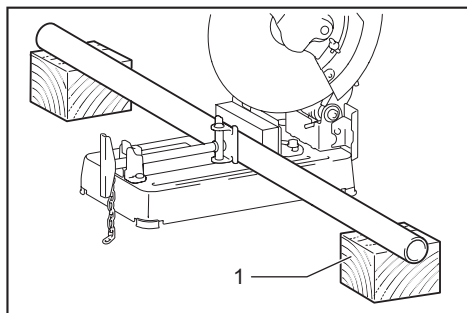
► 1. Placa del tornillo de banco 2. Diámetro de la pieza de trabajo 3. Placa guía 4. Anchura del bloque espaciador

Cuando corte piezas de trabajo de más de 85 mm (3-3/8") de ancho en un ángulo, coloque en la placa guía una pieza de madera recta (espaciador) de más de 190 mm (7-1/2") de largo x 45 mm (1-3/4") de ancho, tal como se muestra en la figura. Fije este espaciador insertando tornillos en los orificios de la placa guía. Asegúrese de que el disco de corte no esté haciendo contacto con el espaciador cuando el cabezal de la herramienta sea presionado.



► 1. Placa guía 2. Bloque espaciador de más de 190 mm (7-1/2") de largo x 45 mm (1-3/4") de ancho 3. Pieza de trabajo de más de 85 mm (3-3/8") de ancho 4. Placa del tornillo de banco

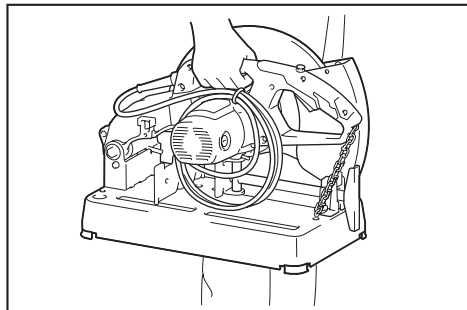
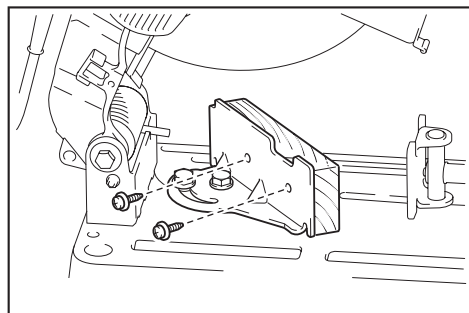
Las piezas de trabajo largas deben estar sujetadas por bloques a ambos lados de forma que queden nivelados con la parte superior de la base. Utilice un material no inflamable para los bloques de sujeción.



► 1. Bloque de sujeción

Transporte de la herramienta

Doble el cabezal de la herramienta y bloquéelo. Sustenga el mango al transportar la herramienta.

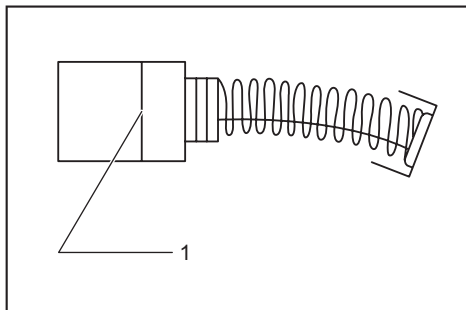


MANTENIMIENTO

⚠PRECAUCIÓN: Asegúrese siempre de que la herramienta esté apagada y desconectada antes de intentar realizar una inspección o mantenimiento.

AVISO: Nunca use gasolina, bencina, diluyente (tíner), alcohol o sustancias similares. Puede que esto ocasione grietas o descoloramiento.

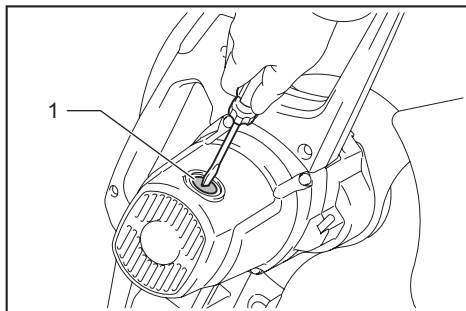
Reemplazo de las escobillas de carbón



- 1. Marca límite

Inspeccione regularmente las escobillas de carbón. Reemplácelas una vez que se hayan desgastado hasta la marca límite. Mantenga las escobillas de carbón limpias de forma que entren libremente en los portaescobillas. Ambas escobillas de carbón deberán ser reemplazadas al mismo tiempo. Utilice únicamente escobillas de carbón idénticas.

1. Utilice un destornillador para quitar las tapas del portaescobillas.
2. Extraiga las escobillas de carbón desgastadas, inserte las nuevas y vuelva a colocar las tapas del portaescobillas.



- 1. Tapa del portaescobillas

ACCESORIOS OPCIONALES

⚠PRECAUCIÓN: Estos accesorios o aditamentos están recomendados para utilizarse con su herramienta Makita especificada en este manual. El empleo de cualquier otro accesorio o aditamento puede conllevar el riesgo de lesiones personales. Utilice los accesorios o aditamentos solamente para su fin establecido.

Si necesita cualquier ayuda para más detalles en relación con estos accesorios, pregunte a su centro de servicio local Makita.

- Discos de corte abrasivos
- Llave de tubo (solamente para el modelo LW1401)

NOTA: Algunos de los artículos en la lista pueden incluirse en el paquete de la herramienta como accesorios estándar. Éstos pueden variar de país a país.

GARANTÍA LIMITADA DE MAKITA

Ésta Garantía no aplica para México

Consulte la hoja de la garantía anexa para ver los términos más vigentes de la garantía aplicable a este producto. En caso de no disponer de esta hoja de garantía anexa, consulte los detalles sobre la garantía descritos en el sitio web de su país respectivo indicado a continuación.

Estados Unidos de América: www.makitatools.com

Canadá: www.makita.ca

Otros países: www.makita.com

< USA only >

WARNING

Some dust created by power sanding, sawing, grinding, drilling, and other construction activities contains chemicals known to the State of California to cause cancer, birth defects or other reproductive harm. Some examples of these chemicals are:

- lead from lead-based paints,
- crystalline silica from bricks and cement and other masonry products, and
- arsenic and chromium from chemically-treated lumber.

Your risk from these exposures varies, depending on how often you do this type of work. To reduce your exposure to these chemicals: work in a well ventilated area, and work with approved safety equipment, such as those dust masks that are specially designed to filter out microscopic particles.

< Sólo en los Estados Unidos >

ADVERTENCIA

Algunos polvos creados por el lijado, aserrado, esmerilado, taladrado y otras actividades de la construcción contienen sustancias químicas reconocidas por el Estado de California como causantes de cáncer, defectos de nacimiento y otros peligros de reproducción. Algunos ejemplos de estos productos químicos son:

- plomo de pinturas a base de plomo,
- sílice cristalino de ladrillos y cemento y otros productos de albañilería, y
- arsénico y cromo de maderas tratadas químicamente.

El riesgo al que se expone varía, dependiendo de la frecuencia con la que realice este tipo de trabajo. Para reducir la exposición a estos productos químicos: trabaje en un área bien ventilada y póngase el equipo de seguridad indicado, tal como las máscaras contra polvo que están especialmente diseñadas para filtrar partículas microscópicas.

Makita Corporation

3-11-8, Sumiyoshi-cho,
Anjo, Aichi 446-8502 Japan

www.makita.com

885456C943
LW1400-1
EN, FRCA, ESMX
20181207